

MAINE STATE LEGISLATURE

The following document is provided by the
LAW AND LEGISLATIVE DIGITAL LIBRARY
at the Maine State Law and Legislative Reference Library
<http://legislature.maine.gov/lawlib>



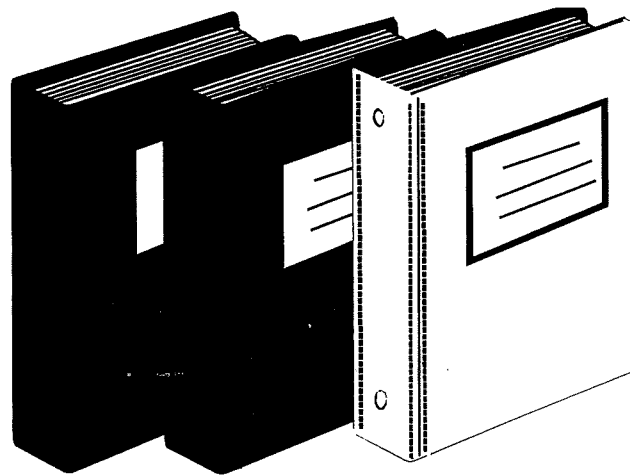
Reproduced from scanned originals with text recognition applied
(searchable text may contain some errors and/or omissions)

LB
2326.4
.M671
1999

**STATE OF MAINE
DEPARTMENT OF EDUCATION**

POSTSECONDARY COMPLETIONS

1999



**PREPARED BY KATHERINE MORRISON
MARGARET CHASE SMITH CENTER INTERN**

**DEPARTMENT OF EDUCATION
JUNE, 2000**

INTRODUCTION

This document provides postsecondary completion data for awards/degrees conferred between July 1, 1998 and June 30, 1999 by each of Maine's public and private colleges and universities. The data is displayed as it relates to each of ten (10) award levels which vary as follows:

<u>AWARD LEVEL</u>	<u>AWARD DESCRIPTION</u>
01	Awards of less than 1 academic year below the bachelor's level (less than 900 contact or clock hours)
02	Awards of at least 1 but less than 2 academic years below the bachelor's level (at least 900 but less than 1800 contact or clock hours)
03	Associate's Degree
04	Awards of at least 2 but less than 4 academic years below the bachelor's level (at least 1800 but less than 3600 contact or clock hours)
05	Bachelor's Degree
06	Postbaccalaureate Certificates
07	Master's Degree
08	Post-Master's Certificates
09	Doctor's Degrees
10*	First Professional Degrees

(*No awards/degrees were conferred at level 11)

Figures are reported for public and private institutions, by gender, by racial/ethnic category, and by combined totals (Pages 1 - 68). The data for each award level is also displayed by Classification of Instructional Programs (CIP) codes. Utilizing CIP codes permits a

consistency of meaning for reporting completions by program titles. The summary of awards/degrees totaled by award levels and by CIP codes (Pages 73 - 97) provides an indication of interest by program areas - what has been most sought and what has not. Composites of totals include a summary of the number of degrees awarded by each institution (Pages 69 - 71), a summary of the twenty highest completion rates by award level and fields of study (Pages 98 - 101), and a summary of degrees awarded by institutions for each of the years 1997, 1998, and 1999 (Page 72).

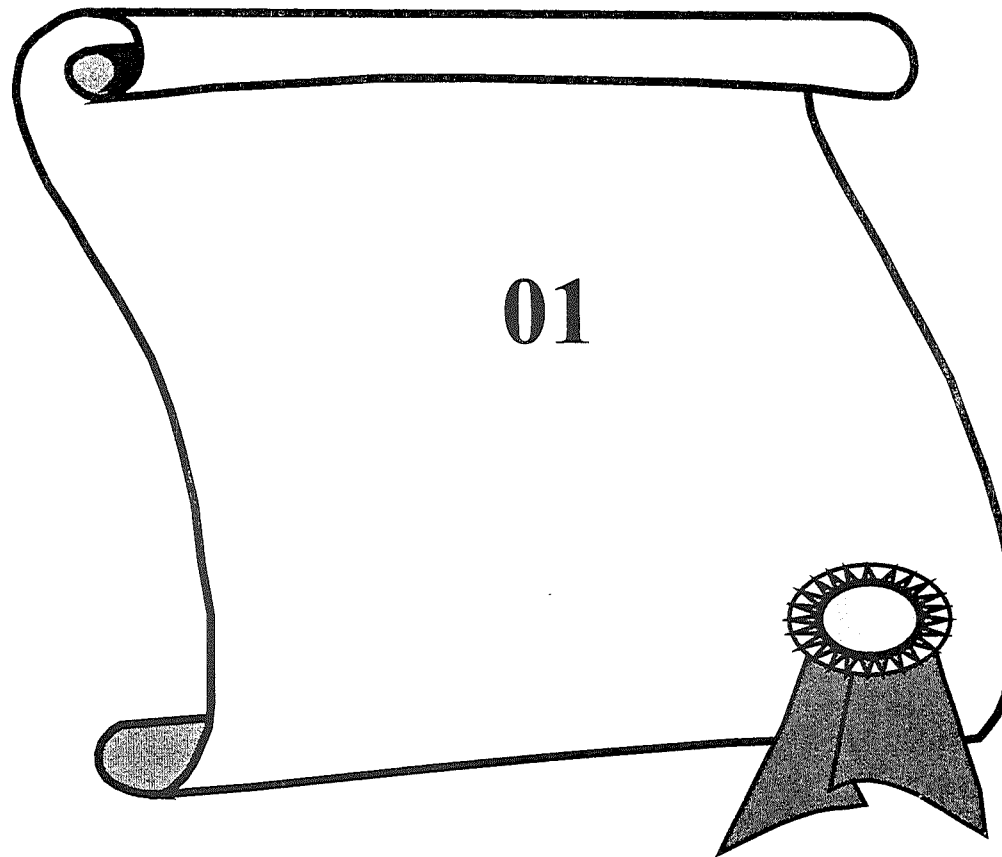
The figures reported have been derived from the completion data submitted by each of Maine's degree-granting institutions in response to the Integrated Postsecondary Education Data Systems (IPEDS) surveys compiled annually for the National Center for Educational Statistics (NCES). The completions survey is one of ten postsecondary education instruments administered through the Maine Department of Education in cooperation with the United States Department of Education. To date, NCES does not compile educational statistics for private business, trade and technical schools, hence, *this document does not include completion data unique to Maine's proprietary institutions.*

During the 1998-1999 academic year a total of 3,539 men and 5,530 women, for a total of 9,069 individuals, graduated from Maine's public and private colleges and universities at the associate, bachelor's and graduate levels. This total reflects a .2% decrease over the 1997-1998 academic year when 3,606 men and 5,482 women, for a total of 9,088 individuals, graduated from Maine's higher education institutions.

This document was prepared by Katherine Morrison, a Margaret Chase Smith Center for Public Policy summer intern in the Department of Education. The Department acknowledges her valuable assistance and this contribution to higher education in Maine.

Harry Osgood
Higher Education Specialist

AWARD LEVEL



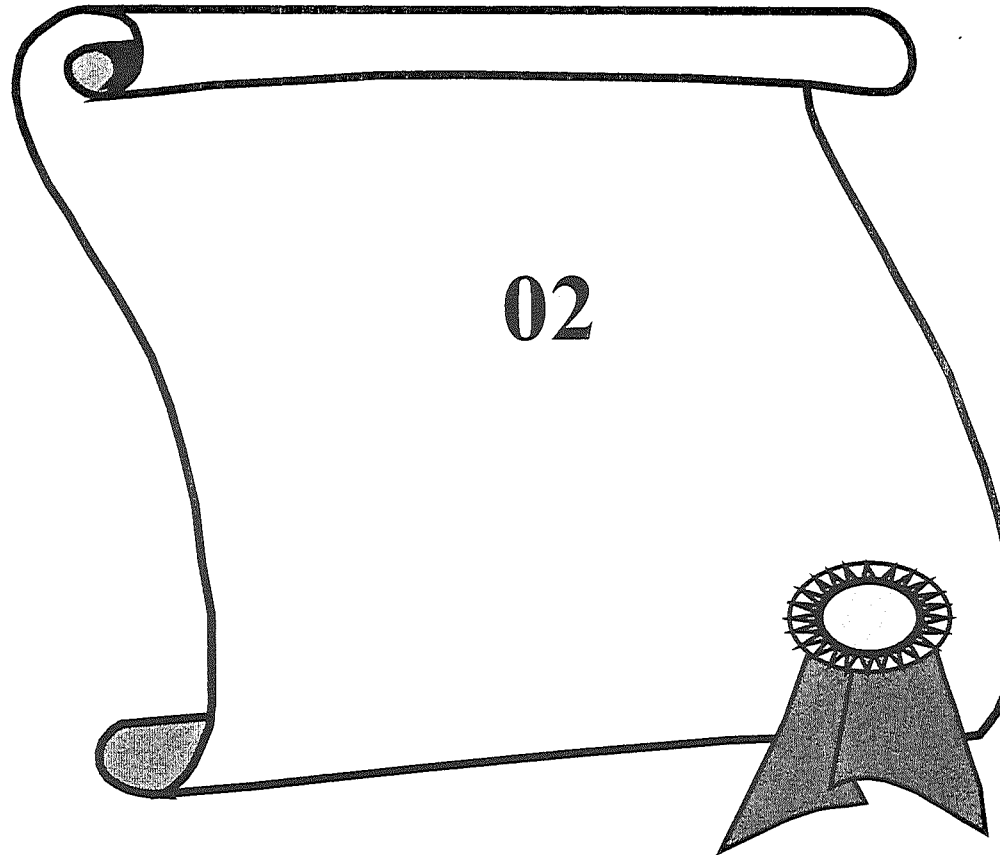
01: Awards of less than 1 academic year below the bachelor's level (less than 900 contact or clock hours)

**MAINE PUBLIC AND PRIVATE COLLEGES AND UNIVERSITIES
POSTSECONDARY COMPLETIONS
AWARDS/DEGREES CONFERRED BETWEEN JULY 1, 1998 AND JUNE 30, 1999**

INSTITUTIONS:

Award Level	Non Resident Alien	Black Non Hispanic		American Indian or Alaskan Native		Asian or Pacific Islander		Hispanic		White Non Hispanic		Race/Ethnicity Unknown		Grand Total All Students			
		M	F	M	F	M	F	M	F	M	F	M	F	M	F		
Eastern Maine Technical College																	
46.0302																	
Electrician	01	0	0	0	0	0	0	0	0	0	0	0	0	1	0	1	0
EMTC Degree Totals	01	0	0	0	0	0	0	0	0	0	0	0	0	1	0	1	0
Mid State College																	
52.0301																	
Accounting	01	0	0	0	0	0	0	0	0	0	0	0	0	0	0	0	0
52.0401																	
Admin Asst/Sec Sci Gen	01	0	0	0	0	0	0	0	0	0	0	0	0	0	0	0	0
52.0499																	
Admin & Secretarial SVCS Other	01	0	0	0	0	0	0	0	0	0	0	0	0	0	0	0	0
MSC Degree Totals	01	0	0	0	0	0	0	0	0	0	0	0	0	0	0	0	0
Public Totals	01	0	0	0	0	0	0	0	0	0	0	0	0	1	0	1	0
Private Totals	01	0	0	0	0	0	0	0	0	0	0	0	0	0	0	0	0
Total All Students	01	0	0	0	0	0	0	0	0	0	0	0	0	1	0	1	0

AWARD LEVEL



02: Awards of at least 1 but less than 2 academic years below the bachelor's level (at least 900 but less than 1800 contact or clock hours)

**MAINE PUBLIC COLLEGES AND UNIVERSITIES
POSTSECONDARY COMPLETIONS
AWARDS/DEGREES CONFERRED BETWEEN JULY 1, 1998 AND JUNE 30, 1999**

INSTITUTIONS:

	Award Level	Non Resident Alien	Black Non Hispanic		American Indian or Alaskan Native		Asian or Pacific Islander		Hispanic		White Non Hispanic		Race/Ethnicity Unknown		Grand Total All Students		
			M	F	M	F	M	F	M	F	M	F	M	F	M	F	
University of Maine (Orono)																	
51.0601																	
Dental Assistant	02	0	0	0	0	0	0	0	0	0	0	1	0	0	0	1	
UM Orono Degree Totals	02	0	0	0	0	0	0	0	0	0	0	1	0	0	0	1	
University of Maine (Augusta)																	
51.0601																	
Dental Assistant	02	0	0	0	0	0	0	0	0	0	0	5	0	0	0	5	
UM Augusta Degree Totals	02	0	0	0	0	0	0	0	0	0	0	5	0	0	0	5	
Central Maine Technical College																	
12.0503																	
Culinary Arts/Chef Training	02	0	0	0	0	0	0	0	0	1	0	1	1	0	0	2	1
15.0403																	
Electromechanical Tech/Tech	02	0	0	0	0	0	0	0	0	0	0	2	0	0	0	2	0
15.0405																	
Robotics Technology/Tech	02	0	0	0	0	0	0	0	0	0	0	1	0	0	0	1	0
15.0701																	
Occup Safety & Health T/T	02	0	0	0	0	0	0	0	0	0	0	5	2	2	0	7	2
15.0803																	
Automotive Eng Tech/Tech	02	0	0	0	0	0	0	0	0	0	0	6	0	2	0	8	0
15.1001																	
Construction/Bldg Tech/Tech	02	0	0	0	0	0	0	0	0	0	0	1	0	1	0	2	0
48.0201																	
Graphic/Print Equip Oper Gen	02	0	0	0	0	0	0	0	0	0	0	2	0	0	0	2	0
48.0501																	
Machinist/Machine Tech	02	0	0	0	0	0	0	0	0	0	0	2	0	0	0	2	0
51.0708																	
Medical Transcription	02	0	0	0	0	0	0	0	0	0	0	1	0	0	0	0	1
51.1613																	
Practical Nurse (LPN Train)	02	0	0	0	0	0	0	0	0	0	0	0	0	0	0	0	0
52.0201																	
Business Admin & Mgmt Gen	02	0	0	0	0	0	0	0	0	0	0	1	0	0	0	1	0
CMTC Degree Totals	02	0	0	0	0	0	0	0	0	1	0	21	4	5	0	27	4

INSTITUTIONS:

Award Level	Non Resident Alien	Black Non Hispanic		American Indian or Alaskan Native		Asian or Pacific Islander		Hispanic		White Non Hispanic		Race/Ethnicity Unknown		Grand Total All Students			
		M	F	M	F	M	F	M	F	M	F	M	F	M	F		
Eastern Maine Technical College																	
12.0599																	
Food Service Specialist	02	0	0	0	0	0	0	0	0	0	0	2	0	0	0	2	
15.1001																	
Construction/Building Tech	02	0	0	0	0	0	0	0	0	0	0	1	0	0	1	0	
47.0699																	
Veh/Mobil Equip Mech/Rep	02	0	0	0	0	0	0	0	0	0	0	1	0	0	0	1	
48.0508																	
Welder/Welding Tech	02	0	0	0	0	0	0	0	0	0	0	10	0	0	10	0	
30.9999																	
Multi/Interdisc Studs Other	02	0	0	0	0	0	0	0	0	0	0	0	0	0	0	0	
EMTC Degree Totals	02	0	0	0	0	0	0	0	0	0	0	11	3	0	0	11	3
Kennebec Valley Tech College																	
46.0303																	
Lineworker	02	0	0	0	0	0	0	0	0	0	0	12	1	0	0	12	1
47.0303																	
Industrial Maintenance Tech	02	0	0	0	0	0	0	0	0	0	0	2	0	0	0	2	0
51.0801																	
Medical Assistant	02	0	0	0	0	0	0	0	0	0	0	0	0	0	0	0	
51.0904																	
Emergency Medicine Tech/Tech	02	0	0	0	0	0	0	0	0	0	0	8	0	0	0	8	0
51.1613																	
Practical Nurse (LPN Train)	02	0	0	0	0	0	0	0	0	0	0	2	0	0	0	2	
52.0401																	
Admin Asst/Sec Sci. Gen	02	0	0	0	0	0	0	0	0	0	0	2	0	0	0	2	
3.0404																	
Forest Products Tech/Tech	02	0	0	0	0	0	0	0	0	0	0	51	6	0	0	51	6
KVTC Degree Totals	02	0	0	0	0	0	0	0	0	0	0	73	11	0	0	73	11
Northern Maine Technical College																	
46.0201																	
Carpenter	02	0	0	0	0	0	0	0	0	0	0	1	0	1	0	2	0
46.9999																	
Construction Trades Other	02	0	0	0	0	0	0	0	0	0	0	0	0	0	0	0	0
47.0603																	
Auto/Automotive Body Repair	02	0	0	0	0	0	0	0	0	0	0	7	0	0	0	7	0
47.0604																	
Auto Automotive Mech/Tech	02	0	0	0	0	0	0	0	0	0	0	3	0	0	0	3	0
47.0699																	
Veh/Mobil Equip Mech/ Rep Oth	02	1	0	0	0	0	0	0	0	0	0	5	0	0	0	6	0
48.0101																	
Drafting General	02	0	0	0	0	0	0	0	0	0	0	0	0	0	0	0	0

INSTITUTIONS:

	Award Level	Non Resident Alien		Black Non Hispanic		American Indian or Alaskan Native		Asian or Pacific Islander		Hispanic		White Non Hispanic		Race/ Ethnicity Unknown		Grand Total All Students	
		M	F	M	F	M	F	M	F	M	F	M	F	M	F	M	F
NMTC Cont																	
48.0506																	
Sheet Metal Worker	02	0	0	0	0	0	0	0	0	0	0	0	0	0	0	0	0
51.1613																	
Practical Nurse (LPN Train)	02	0	0	0	0	0	0	0	0	0	0	0	5	0	0	0	5
52.0408																	
Gen Office/Clerk/Typing SVCS	02	0	0	0	0	0	0	0	0	0	0	0	1	0	0	0	1
46.0302																	
Electrician	02	0	0	0	0	0	0	0	0	0	0	0	0	0	0	0	0
NMTC Degree Totals	02	1	0	0	0	0	0	0	0	0	0	16	6	1	0	18	6
Southern Maine Technical College																	
13.1204																	
Pre Elem/EC/Kindergn Tchr Ed	02	0	0	0	0	0	0	0	0	0	0	0	2	0	0	0	2
15.0507																	
Environ & Pollution Ctrl T/T	02	0	0	0	0	0	0	0	0	0	0	2	1	1	0	3	1
24.0199																	
Lib Arts, Sci/Gen St Hum Oth	02	0	0	0	0	0	0	0	0	0	0	2	0	0	0	2	0
43.0201																	
Fire Protection/Safety T/T	02	0	0	0	0	0	0	0	0	0	0	0	0	0	0	0	0
46.0501																	
Plumber & Pipe Fitter	02	0	0	0	0	0	0	0	0	0	0	11	0	0	0	11	0
47.0201																	
Heating/Ac/Refrig/Mech/Rep	02	0	0	1	0	0	0	0	0	0	0	2	0	0	0	3	0
48.0101																	
Drafting General	02	0	0	0	0	0	0	0	0	0	0	6	0	0	0	6	0
48.0501																	
Machinists/ Machine Tech	02	0	0	0	0	0	0	0	0	0	0	1	0	0	0	1	0
51.0708																	
Medical Transcription	02	0	0	0	0	0	0	0	0	0	0	0	0	0	0	0	0
51.0801																	
Medical Assistant	02	0	0	0	0	0	1	0	0	0	0	0	11	0	2	0	14
51.1613																	
Practical Nurse (LPN Train)	02	0	0	0	0	0	0	0	0	0	0	1	4	0	0	1	4
15.0399																	
Elec & Electronic Eng Rel Tech	02	0	0	0	0	0	0	0	0	0	0	0	0	0	0	0	0
SMTC Degree Totals	02	0	0	1	0	0	1	0	0	0	0	25	18	1	2	27	21

INSTITUTIONS:

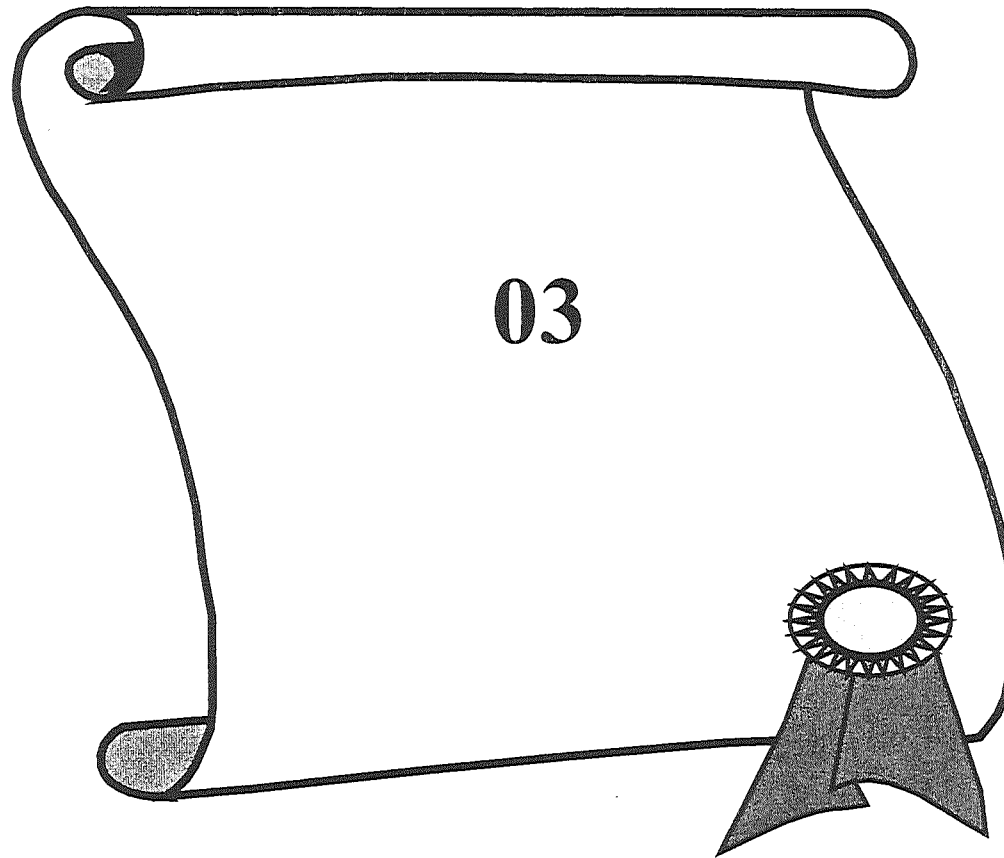
Award Level	Non Resident Alien	Black Non Hispanic		American Indian or Alaskan Native		Asian or Pacific Islander		Hispanic		White Non Hispanic		Race/Ethnicity Unknown		Grand Total All Students			
		M	F	M	F	M	F	M	F	M	F	M	F	M	F		
Washington County Tech College																	
12.0504																	
Food & Bev/Restaurant Op Mgr	02	0	0	0	0	0	0	0	0	0	0	1	4	0	0	1	4
24.0194																	
Liberal Arts & Gen. Studies	02	0	0	0	0	0	0	0	0	0	0	0	1	0	0	0	1
46.0201																	
Carpenter	02	0	0	0	0	0	0	0	0	0	0	4	0	0	0	4	0
46.0302																	
Electrician	02	0	0	0	0	0	0	0	0	0	0	11	1	0	0	11	1
46.0501																	
Plumber & Pipe Fitter	02	0	0	0	0	0	0	0	0	0	0	5	0	0	0	5	0
47.0201																	
Heating/Ac/Refrig Mech/Rep	02	0	0	0	0	0	0	0	0	0	0	6	0	0	0	6	0
47.0604																	
Auto/Automotive Mech/Tech	02	0	0	0	0	0	0	0	0	0	0	2	1	0	0	2	1
47.0605																	
Diesel Engine Mech/Repair	02	0	0	0	0	0	0	0	0	0	0	10	0	0	0	10	0
48.0508																	
Welder/Welding Tech	02	0	0	0	0	0	0	0	0	0	0	10	0	0	0	10	0
48.9999																	
Precision Prod. Trades, Oth	02	0	0	0	0	0	0	0	0	0	0	10	1	0	0	10	1
49.0202																	
Construction Equip Operator	02	0	0	0	0	1	0	0	0	0	0	5	1	0	0	6	1
49.0306																	
Marine Maint & Ship Repairer	02	0	0	0	0	0	0	0	0	0	0	7	0	0	0	7	0
52.0404																	
Medical Admin Asst/Secretary	02	0	0	0	0	0	0	0	0	0	1	0	9	0	0	0	10
52.1299																	
Bus Info & Data Proc Svcs Oth	02	0	0	0	0	0	2	0	0	0	0	0	4	0	0	0	6
47.0302																	
Heavy Equip. Maintenance	02	0	0	0	0	0	0	0	0	0	0	8	1	0	0	8	1
WCTC Degree Totals	02	0	0	0	0	1	2	0	0	0	1	79	23	0	0	80	26
York County Technical College																	
52.1201																	
Mgt Info Sys/Bus Data Proc Gen	02	0	0	0	0	0	0	0	0	0	0	0	0	0	1	0	1
52.1299																	
Bus Info & Data Proc Svcs Oth	02	0	0	0	0	0	0	0	0	0	0	0	0	0	2	0	2
19.0706																	
Child Growth/Care Studies	02	0	0	0	0	0	0	0	0	0	0	0	0	1	0	1	0
YCTC Degree Totals	02	0	0	0	0	0	0	0	0	0	0	0	0	1	3	1	3
PUBLIC TOTALS	02	1	0	1	0	1	3	0	0	1	1	225	71	8	5	237	80

**MAINE PRIVATE COLLEGES AND UNIVERSITIES
POSTSECONDARY COMPLETIONS
AWARDS/DEGREES CONFERRED BETWEEN JULY 1, 1998 AND JUNE 30, 1999**

INSTITUTIONS:

	Award Level	Non Resident Alien		Black Non Hispanic		American Indian or Alaskan Native		Asian or Pacific Islander		Hispanic		White Non Hispanic		Race/Ethnicity Unknown		Grand Total All Students	
		M	F	M	F	M	F	M	F	M	F	M	F	M	F	M	F
Andover College																	
22.0103																	
Paralegal/Legal Assistant	02	0	0	0	0	0	0	0	0	0	0	0	5	0	0	0	5
Andover College Degree Total	02	0	0	0	0	0	0	0	0	0	0	0	5	0	0	0	5
Beal College																	
22.0103																	
Paralegal/Legal Assistant	02	0	0	0	0	0	0	0	0	0	0	1	0	0	0	1	0
52.0101																	
Business, General	02	0	0	0	0	0	0	0	0	0	0	0	1	0	0	0	1
52.0201																	
Business Admin & Mgmt Gen	02	0	0	0	0	0	0	0	0	0	0	0	1	0	0	0	1
52.0401																	
Admin Asst/ Sec Sci Gen	02	0	0	0	0	0	0	0	0	0	0	0	4	0	0	0	4
Beal College Degree Totals	02	0	0	0	0	0	0	0	0	0	0	1	6	0	0	1	6
PRIVATE TOTALS																	
	02	0	0	0	0	0	0	0	0	0	0	1	11	0	0	1	11
TOTAL ALL STUDENTS																	
	02	1	0	1	0	1	3	0	0	1	1	226	82	8	5	238	91

AWARD LEVEL



03: Associate's Degree

**MAINE PUBLIC COLLEGES AND UNIVERSITIES
POSTSECONDARY COMPLETIONS
AWARDS/DEGREES CONFERRED BETWEEN JULY 1, 1998 AND JUNE 30, 1999**

INSTITUTIONS:

Award Level	Non Resident Alien		Black Non Hispanic		American Indian or Alaskan Native		Asian or Pacific Islander		Hispanic		White Non Hispanic		Race/Ethnicity Unknown		Grand Total All Students		
	M	F	M	F	M	F	M	F	M	F	M	F	M	F	M	F	
Maine Maritime Academy																	
52.0799																	
Enterprise Mgmt & Oper Oth	03	0	0	0	0	0	0	0	0	0	0	7	1	0	0	7	1
MMA Degree Totals	03	0	0	0	0	0	0	0	0	0	0	7	1	0	0	7	1
University of Maine (Orono)																	
01.0606																	
Nursery Operations & Mgmt	03	0	0	0	0	0	0	0	0	0	0	1	0	0	0	1	0
2.0299																	
Animal Sciences, Oth	03	0	0	0	0	0	0	0	0	0	0	0	1	0	0	0	1
15.0201																	
Civil Eng/Civil Tech/Tech	03	0	0	0	0	0	0	0	0	0	0	0	0	0	0	0	0
15.0399																	
Elect/Elect Eng - Rel T/T Oth	03	0	0	0	0	0	0	0	0	0	0	0	0	0	0	0	0
15.0805																	
Mechanical Eng/Mech Tech/T	03	0	0	0	0	0	0	0	0	0	0	0	0	0	0	0	0
19.0901																	
Clothing/Appar/Textile Studs	03	0	0	0	0	0	0	0	0	0	0	0	0	0	0	0	0
24.0101																	
Lib Arts, Sci/Lib Studies	03	0	0	0	0	0	0	0	0	0	0	0	0	0	0	0	0
43.0107																	
Law Enforcement/Police Sci	03	0	0	0	0	0	0	0	0	0	0	0	0	0	0	0	0
44.0201																	
Community Organiz Res & Svcs	03	0	0	0	0	0	0	0	0	0	0	0	0	0	0	0	0
51.0602																	
Dental Hygienist	03	0	0	0	0	0	0	0	0	0	0	0	0	0	0	0	0
51.0707																	
Medical Records Tech/Tech	03	0	0	0	0	0	0	0	0	0	0	0	0	0	0	0	0
52.0101																	
Business General	03	0	0	0	0	0	0	0	0	0	0	0	0	0	0	0	0
UM Orono Degree Totals	03	0	0	0	0	0	0	0	0	0	0	1	1	0	0	1	1

INSTITUTIONS:

Award Level	Non Resident Alien	Black Non Hispanic		American Indian or Alaskan Native		Asian or Pacific Islander		Hispanic		White Non Hispanic		Race/ Ethnicity Unknown		Grand Total All Students			
		M	F	M	F	M	F	M	F	M	F	M	F	M	F		
University of Maine (Augusta)																	
04.0201																	
Architechure	03	0	0	0	0	0	0	0	0	0	0	0	0	0	0		
11.0101																	
Computer & Info Science Gen	03	0	0	0	0	0	0	0	0	0	11	7	0	0	11		
24.0101																	
Lib Arts Sci/Lib Studies	03	0	0	0	0	1	1	1	0	0	0	3	8	0	0		
24.0102																	
General Studies	03	0	0	0	0	0	1	0	0	1	0	7	39	0	0		
25.0301																	
Library Assistant	03	0	0	0	0	0	0	0	0	0	1	10	0	0	1		
43.0104																	
Criminal Justice Studies	03	0	0	0	0	0	0	0	0	0	9	4	0	0	9		
43.0107																	
Law Enforcement/Police Sci	03	0	0	0	0	1	0	0	0	0	6	2	0	0	7		
50.0605																	
Photography	03	0	0	0	0	0	1	0	0	0	0	2	0	0	0		
50.0799																	
Fine Arts & Art Studies Oth	03	0	0	0	0	0	0	0	0	0	1	5	0	0	1		
50.0901																	
Music General	03	0	0	0	0	0	0	0	0	0	5	1	0	0	5		
51.0799																	
Health & Med Admin Svcs Oth	03	0	0	0	0	0	0	0	0	0	0	7	0	0	0		
51.1005																	
Medical Technology	03	0	0	0	0	0	0	0	0	0	0	7	0	0	0		
51.1502																	
Psych/Mental Health Svc Tech	03	0	0	0	0	1	5	0	0	0	0	7	73	0	0		
51.1601																	
Nursing (RN Training)	03	1	0	0	0	0	1	0	0	0	1	5	36	0	0		
52.0101																	
Business General	03	0	0	0	0	0	1	0	0	0	0	12	44	0	0		
51.0602																	
Dental Hygienist	03	0	0	0	0	0	0	0	0	0	0	16	0	0	0		
UM Augusta Degree Totals	03	1	0	0	0	3	10	1	0	1	1	67	261	0	0	73	272

INSTITUTIONS:

Award Level	Non Resident Alien	Black Non Hispanic	American Indian or Alaskan Native	Asian or Pacific Islander	Hispanic	White Non Hispanic	Race/Ethnicity Unknown	Grand Total All Students
-------------	--------------------	--------------------	-----------------------------------	---------------------------	----------	--------------------	------------------------	--------------------------

University of Maine (Fort Kent)		M	F	M	F	M	F	M	F	M	F	M	F	M	F	M	F
24.0101																	
Lib Arts Sci/Lib Studies	03	0	0	0	0	0	1	0	0	0	0	12	21	0	0	12	22
UMFK Degree Totals	03	0	0	0	0	0	1	0	0	0	0	12	21	0	0	12	22
University of Maine (Machias)																	
20.0201																	
Child Care/Guide Wkr/Mgr Gen	03	0	0	0	0	0	0	0	0	0	0	0	3	0	0	0	3
24.0101																	
Lib Arts. Sci/Lib Studies	03	0	0	0	0	0	0	0	0	0	0	1	1	0	0	1	1
31.0301																	
Parks/Rec/Leisure Facils Mgt	03	1	0	0	0	1	0	0	0	0	0	2	5	0	0	4	5
52.0301																	
Accounting	03	0	0	0	0	0	0	0	0	0	0	1	3	0	0	1	3
52.0401																	
Admin Asst/Sec Sci Gen	03	0	0	0	0	0	0	0	0	0	1	0	4	0	0	0	5
52.1201																	
Mgt. InfoSys/Bus DataProc Gen.	03	0	1	0	0	0	0	0	0	0	0	0	1	0	0	0	2
UMM Degree Totals	03	1	1	0	0	1	0	0	0	0	1	4	17	0	0	6	19
University of Maine (Presque Isle)																	
24.0101																	
Lib Arts Sci/Lib Studies	03	0	1	0	0	0	0	0	0	0	0	6	11	0	0	6	12
43.0104																	
Criminal Justice Studies	03	0	0	0	0	0	0	0	0	0	0	8	2	0	0	8	2
31.0101																	
Parks, Rec, & Leisure Stud	03	0	0	0	0	0	0	0	0	0	0	1	1	0	0	1	1
51.1004																	
Medical Laboratory Tech	03	0	0	0	0	0	0	0	0	0	0	1	4	0	0	1	4
UMPI Degree Totals	03	0	1	0	0	0	0	0	0	0	0	16	18	0	0	16	19

INSTITUTIONS:

Award Level	Non Resident Alien	Black Non Hispanic		American Indian or Alaskan Native		Asian or Pacific Islander		Hispanic		White Non Hispanic		Race/Ethnicity Unknown		Grand Total All Students			
		M	F	M	F	M	F	M	F	M	F	M	F	M	F		
University of Southern Maine																	
24.0101																	
Lib Arts Sci/Lib Studies	03	0	0	0	0	0	0	0	0	0	0	9	28	0	0	9	28
51.2309																	
Recreational Therapy	03	0	0	0	0	0	0	0	0	0	0	0	3	0	0	0	3
52.0201																	
Business Admin & Mgmt Gen	03	0	0	0	0	1	0	0	0	0	0	7	12	0	0	8	12
USM Degree Totals	03	0	0	0	0	1	0	0	0	0	0	16	43	0	0	17	43
Central Maine Technical College																	
15.0101																	
Architectural Eng Tech/Tech	03	0	0	0	0	0	0	0	0	0	0	3	1	0	0	3	1
15.0403																	
Eltromechanical Tech/Tech	03	0	0	1	0	0	0	0	0	0	0	10	1	1	0	12	1
15.0701																	
Occup Safety & Health T/T	03	0	0	0	0	0	0	0	0	0	0	3	2	0	0	3	2
15.0803																	
Automotive Eng Tech/Tech	03	0	0	0	0	0	0	0	0	0	0	11	0	1	0	12	0
15.1001																	
Construction/Bldg Tech/Tech	03	0	0	0	0	0	0	0	0	0	0	2	0	0	0	2	0
24.0199																	
Lib Arts, Sci/Gen St Hum Oth	03	0	0	0	0	0	0	0	0	0	0	3	1	1	0	4	1
30.9999																	
Multi/Interdisc Studs Other	03	0	0	0	0	0	0	0	0	0	0	0	0	0	0	0	0
47.0604																	
Auto/Automotive Mech/Tech	03	0	0	0	0	0	0	0	0	0	0	7	0	1	0	8	0
48.0105																	
Mechanical Drafting	03	0	0	0	0	0	0	0	0	0	0	1	0	0	0	1	0
48.0201																	
Graphic Print Equip Oper Gen	03	0	0	0	0	0	0	0	0	0	0	7	11	0	0	7	11
48.0501																	
Machinist/Machine Tech	03	0	0	0	0	0	0	0	0	0	0	15	0	2	0	17	0
48.0508																	
Welder/Welding Tech	03	0	0	0	0	0	0	0	0	0	0	3	0	0	0	3	0

INSTITUTIONS:

	Award Level	Non Resident Alien		Black Non Hispanic		American Indian or Alaskan Native		Asian or Pacific Islander		Hispanic		White Non Hispanic		Race/Ethnicity Unknown		Grand Total All Students	
		M	F	M	F	M	F	M	F	M	F	M	F	M	F	M	F
CMTC Cont																	
51.0907																	
Medical Radiologic Tech/Tech	03	0	0	0	0	0	0	0	0	0	0	0	8	0	0	0	8
51.1004																	
Medical Laboratory Tech/Tech	03	0	0	0	0	0	0	0	0	0	0	1	7	0	0	1	7
51.1601																	
Nursing (RN Training)	03	0	0	0	0	0	0	0	0	0	0	2	15	0	3	2	18
52.0201																	
Business Admin & Mgmt Gen	03	0	0	0	0	0	0	0	0	0	0	6	11	0	2	6	13
52.0302																	
Accounting Technician	03	0	0	0	0	0	0	0	0	0	0	0	2	0	0	0	2
52.0401																	
Admin Asst/Sec Sci Gen	03	0	0	0	0	0	0	0	0	0	1	0	1	1	1	1	3
CMTC Degree Totals	03	0	0	1	0	0	0	0	0	0	1	74	60	7	6	82	67
Eastern Maine Technical College																	
12.0599																	
Culinary Arts/Rel Svcs, Oth	03	0	0	0	0	0	1	0	0	0	0	0	4	0	0	0	5
15.0303																	
Elect/Electron/Comm Eng T/T	03	0	0	0	0	0	0	0	0	0	0	2	0	0	0	2	0
15.0399																	
Elect/Elect Eng Rel T/T Other	03	0	0	0	0	0	0	0	0	0	0	11	0	0	0	11	0
15.1001																	
Construction/Bldg Tech/Tech	03	0	0	0	0	0	0	0	0	0	0	2	0	0	0	2	0
30.9999																	
Multi/Interdisc Studs Other	03	0	0	0	0	0	0	0	0	0	0	2	1	0	0	2	1
47.0201																	
Heating/AC/Refrig Mech/Rep	03	0	0	0	0	0	0	0	0	0	0	3	0	0	0	3	0
48.0501																	
Machinist/Machine Tech	03	0	0	0	0	0	0	0	0	0	0	4	1	0	0	4	1
48.0508																	
Welder/Welding Tech	03	0	0	0	0	0	0	0	0	0	0	1	0	0	0	1	0
51.0907																	
Medical Radiologic Tech/Tech	03	0	0	0	0	1	0	0	0	0	0	2	7	0	0	3	7

INSTITUTIONS:

	Award Level	Non Resident Alien		Black Non Hispanic		American Indian or Alaskan Native		Asian or Pacific Islander		Hispanic		White Non Hispanic		Race/Ethnicity Unknown		Grand Total All Students	
		M	F	M	F	M	F	M	F	M	F	M	F	M	F	M	F
EMTC Cont																	
51.1004																	
Medical Laboratory Tech	03	0	0	0	0	0	0	0	0	0	0	0	0	0	0	0	0
51.1601																	
Nursing (RN Training)	03	0	0	0	0	0	0	0	1	0	0	5	17	0	0	5	18
52.0201																	
Business Admin & Mgmt Gen	03	0	0	0	0	0	0	0	0	0	0	8	12	0	0	8	12
47.0699																	
Veh/Mobil Equip Mech/Rep Othe	03	0	0	0	0	0	0	0	0	0	0	2	0	0	0	2	0
52.0401																	
Admin Asst/Sec Sci Gen	03	0	0	0	0	0	0	0	0	0	0	0	11	0	0	0	11
EMTC Degree Totals	03	0	0	0	0	1	0	0	1	0	0	42	49	0	0	43	50
Kennebec Valley Tech College																	
3.0404																	
Forest Products Tech/Tech	03	0	0	0	0	0	0	0	0	0	0	2	0	0	0	2	0
13.1501																	
Teacher Asst/Aide	03	0	0	0	0	0	0	0	0	0	0	1	15	0	0	1	15
15.0303																	
Elect/Electron/Comm Eng T/T	03	0	0	0	0	0	0	0	0	0	0	10	2	0	0	10	2
41.0101																	
Bioscience Technology	03	0	0	0	0	0	0	0	0	0	0	0	1	0	0	0	1
46.0302																	
Electrician	03	0	0	0	0	0	0	0	0	0	0	7	2	0	0	7	2
51.0707																	
Medical Records Tech/Tech	03	0	0	0	0	0	0	0	0	0	0	0	8	0	0	0	8
51.0806																	
Physical Therapy Assistant	03	0	0	0	0	0	0	0	0	0	1	5	8	0	0	5	9
51.0904																	
Emergency Medicine Tech/Tech	03	0	0	0	0	0	0	0	0	0	0	2	0	0	0	2	0
51.0907																	
Medical Radiologic Tech/Tech	03	0	0	0	0	0	0	0	0	0	0	0	4	0	0	0	4
51.0908																	
Respiratory Therapy Tech	03	0	0	0	0	0	0	0	0	1	0	1	5	0	0	2	5
51.1601																	
Nursing (RN Training)	03	0	0	0	1	0	0	0	0	0	0	1	27	0	0	1	28

INSTITUTIONS:

	Award Level	Non Resident Alien		Black Non Hispanic		American Indian or Alaskan Native		Asian or Pacific Islander		Hispanic		White Non Hispanic		Race/ Ethnicity Unknown		Grand Total All Students	
		M	F	M	F	M	F	M	F	M	F	M	F	M	F	M	F
KVTC Cont																	
52.0302																	
Accounting Technician	03	0	0	0	0	0	0	0	0	0	0	1	13	0	0	1	13
52.0401																	
Admin Asst/Sec Sci Gen	03	0	0	0	0	0	0	0	0	0	0	0	7	0	0	0	7
52.0403																	
Legal Admin Asst/Secretary	03	0	0	0	0	0	0	0	0	0	0	0	4	0	0	0	4
52.0404																	
Medical Admin Asst/Secretary	03	0	0	0	0	0	0	0	0	0	0	0	7	0	0	0	7
52.1401																	
Bus Marketing & Marketing Mgr	03	0	0	0	0	0	0	0	0	0	0	1	8	0	0	1	8
51.0801																	
Medical Assistant	03	0	0	0	0	0	1	0	0	0	0	0	12	0	0	0	13
51.0803																	
Occupational Therapy Asst	03	0	0	0	0	0	0	0	0	0	0	3	15	0	0	3	15
KVTC Degree Totals	03	0	0	0	1	0	1	0	0	1	1	34	138	0	0	35	141
Northern Maine Technical College																	
01.0101																	
Agri Business & Mgmt Gen	03	0	0	0	0	0	0	0	0	0	0	1	0	0	0	1	0
11.0201																	
Computer Programming	03	1	0	0	0	0	0	0	0	0	0	6	4	2	0	9	4
15.0303																	
Elect/Electron/Comm Eng T/T	03	1	0	0	0	1	0	0	0	0	0	4	0	0	0	6	0
15.0404																	
Instrumentation Tech/Tech	03	0	0	0	0	0	0	0	0	0	0	5	0	0	0	5	0
24.0199																	
Lib Arts Sci/Gen St Hum Other	03	0	1	0	0	0	0	0	0	0	0	2	6	0	0	2	7
46.0201																	
Carpenter	03	0	0	1	0	0	0	0	0	0	0	1	0	0	0	2	0

INSTITUTIONS:

	Award Level	Non Resident Alien		Black Non Hispanic		American Indian or Alaskan Native		Asian or Pacific Islander		Hispanic		White Non Hispanic		Race/Ethnicity Unknown		Grand Total All Students	
		M	F	M	F	M	F	M	F	M	F	M	F	M	F	M	F
NMTC Cont																	
46.0302																	
Electrician	03	0	0	0	0	0	0	0	0	0	0	7	0	0	0	7	0
47.0104																	
Computer Install & Repair	03	0	0	0	0	0	0	0	0	0	0	8	0	1	0	9	0
47.0603																	
Auto/Automotive Body Repair	03	0	0	0	0	0	0	0	0	0	0	1	0	0	0	1	0
47.0604																	
Auto/Automotive Mech/Tech	03	0	0	0	0	0	0	0	0	0	0	2	0	1	0	3	0
48.0101																	
Drafting General	03	0	0	0	0	0	1	0	0	0	0	5	0	0	0	5	1
48.0506																	
Sheet Metal Worker	03	0	0	0	0	0	0	0	0	0	0	0	0	0	0	0	0
51.1601																	
Nursing (RN Training)	03	0	0	0	0	0	0	0	0	0	1	3	25	0	1	3	27
52.0201																	
Business Admin & Mgmt Gen	03	0	1	0	0	0	0	0	0	0	0	6	6	1	1	7	8
52.0302																	
Accounting Technician	03	0	1	0	0	0	0	0	0	0	0	3	3	0	0	3	4
52.0402																	
Executive Assistant/Secretary	03	0	0	0	0	0	1	0	0	0	0	0	4	0	0	0	5
52.0403																	
Legal Admin Asst/Secretary	03	0	0	0	0	0	0	0	0	0	0	0	2	0	0	0	2
52.0404																	
Medical Admin Asst/Secretary	03	0	0	0	0	0	0	0	0	0	0	0	8	0	0	0	8
52.1201																	
Mgt Infosys/Bus Data Proc Gen	03	0	0	0	0	0	0	0	0	0	0	2	4	0	0	2	4

INSTITUTIONS:

	Award Level	Non Resident Alien		Black Non Hispanic		American Indian or Alaskan Native		Asian or Pacific Islander		Hispanic		White Non Hispanic		Race/Ethnicity Unknown		Grand Total All Students	
		M	F	M	F	M	F	M	F	M	F	M	F	M	F	M	F
NMTC Cont																	
52.0205																	
Operations Mgmt, Supervision	03	0	0	0	0	0	0	0	0	0	0	0	1	0	0	0	1
52.1204																	
Information Tech	03	0	0	0	0	0	1	0	0	0	0	3	1	0	0	3	2
46.9999																	
Construction Trades, Other	03	0	0	0	0	0	0	0	0	0	0	2	0	0	0	2	0
NMTC Degree Totals	03	2	3	1	0	1	3	0	0	0	1	61	64	5	2	70	73
Southern Maine Technical College																	
01.0601																	
Horticult Svcs Oper/Mgmt Gen	03	0	0	0	0	0	0	0	0	0	0	3	6	1	0	4	6
13.1204																	
Pre Elem/EC/Kindergn Tchr Ed	03	0	0	0	0	0	0	0	0	0	0	0	6	0	2	0	8
15.0301																	
Computer Eng Tech/Tech	03	0	0	0	0	0	0	0	0	0	0	19	4	3	0	22	4
15.0303																	
Elect/Electron/Comm Eng T/T	03	0	0	0	0	0	0	2	0	0	0	19	0	1	0	22	0
15.0599																	
Environ Ctrl Tech/Tech Other	03	0	0	0	0	0	0	0	0	0	0	6	0	0	0	6	0
15.9999																	
Engineering-Related T/T, Oth	03	0	0	0	0	0	0	0	0	0	0	0	0	0	0	0	0
20.0401																	
Institution Food Wkr/Adm Gen	03	0	0	0	0	0	0	1	0	0	0	11	10	2	3	14	13
20.0404																	
Dietician Assistant	03	0	0	0	0	1	0	0	0	0	0	1	4	0	2	2	6
40.0702																	
Oceanography	03	0	0	0	0	0	0	0	0	0	0	3	3	0	0	3	3

INSTITUTIONS:

	Award Level	Non Resident Alien		Black Non Hispanic		American Indian or Alaskan Native		Asian or Pacific Islander		Hispanic		White Non Hispanic		Race/Ethnicity Unknown		Grand Total All Students	
		M	F	M	F	M	F	M	F	M	F	M	F	M	F	M	F
SMTC Cont																	
43.0107																	
Law Enforcement/Police Sci	03	0	0	0	0	0	0	0	0	1	0	24	7	4	4	29	11
43.0201																	
Fire Protection/Safety T/T	03	0	0	0	0	0	0	0	0	0	0	16	2	4	0	20	2
46.0201																	
Carpenter	03	0	0	0	0	0	0	0	0	0	0	8	0	0	0	8	0
46.0302																	
Electrician	03	0	0	0	0	0	0	0	0	0	0	4	0	0	0	4	0
46.0501																	
Plumber & Pipefitter	03	0	0	0	0	0	0	0	0	0	0	1	0	0	0	1	0
47.0201																	
Heating/AC/Refrig Mech/Rep	03	0	0	0	0	0	0	0	0	0	0	3	0	1	0	4	0
47.0604																	
Auto/Automotive Mech/Tech	03	0	0	0	0	0	0	0	0	0	0	2	1	1	0	3	1
48.0501																	
Machinist/Machine Tech	03	0	0	0	0	0	0	0	0	0	0	10	0	0	0	10	0
49.0399																	
Water Transport Workers Other	03	0	0	0	0	0	0	0	0	0	0	0	0	0	0	0	0
50.0402																	
Graphic Des/Comm Art/Illust	03	0	0	0	0	0	0	0	0	0	0	7	3	0	0	7	3
51.0901																	
Cardiovascular Tech/Tech	03	0	0	0	0	0	0	0	0	0	0	2	7	0	1	2	8
51.0905																	
Nuclear Medicine Tech/Tech	03	0	0	0	0	0	0	0	0	0	0	0	3	0	0	0	3
51.0907																	
Medical Radiologic Tech/Tech	03	0	0	0	0	0	0	0	1	0	0	1	6	0	2	1	9
51.0908																	
Respiratory Therapy Tech	03	0	0	0	0	0	0	0	0	0	0	1	5	1	0	2	5

INSTITUTIONS:

	Award Level	Non Resident Alien		Black Non Hispanic		American Indian or Alaskan Native		Asian or Pacific Islander		Hispanic		White Non Hispanic		Race/Ethnicity Unknown		Grand Total All Students	
		M	F	M	F	M	F	M	F	M	F	M	F	M	F	M	F
SMTC Cont																	
51.0909																	
Surgical/Operating Room Tech	03	0	0	0	0	0	0	0	0	0	0	0	4	0	0	0	4
51.1601																	
Nursing (RN Training)	03	0	0	0	0	0	0	0	0	0	0	3	37	0	4	3	41
52.0204																	
Office Supervision & Mgmt	03	0	0	0	1	0	0	0	0	0	0	0	14	0	3	0	18
52.0902																	
Hotel/Motel/Restaurant Mgmt	03	0	0	0	0	0	0	0	0	0	0	1	3	0	3	1	6
52.0201																	
Business Admin & Mgmt, Gen	03	0	0	0	0	0	0	0	0	0	0	6	2	0	0	6	2
51.0904																	
Emerg Medical Tech/Tech	03	0	0	0	0	0	0	0	0	0	0	1	3	0	0	1	3
15.0399																	
Elec/Electron Eng Rel Tech	03	0	0	0	0	0	0	0	0	0	0	7	0	1	0	8	0
50.0699																	
Film/Video & Photo Arts	03	0	0	0	0	0	0	0	0	0	0	6	0	1	0	7	0
SMTC Degree Totals	03	0	0	0	1	1	0	3	1	1	0	165	130	20	24	190	156
Washington County Tech College																	
15.1001																	
Construction/Building Tech/Tech	03	0	0	0	0	1	0	0	0	0	0	2	0	0	0	3	0
20.0404																	
Dietician Assistant	03	0	0	0	0	0	1	0	0	0	0	0	4	0	0	0	5
30.9999																	
Multi/Interdisc Studs Other	03	0	0	0	0	0	0	0	0	0	0	4	1	0	0	4	1
48.9999																	
Precision Products Trade, Other	03	0	0	0	0	0	0	0	0	0	0	7	0	0	0	7	0
52.0299																	
Business Admin & Mgmt, Oth	03	0	0	0	0	1	1	0	0	0	0	6	2	0	0	7	3
52.1299																	
Bus Info & Data Proc Svcs Other	03	0	0	0	0	0	2	0	0	0	0	4	11	0	0	4	13
47.0604																	
Auto/Automotive Mech/Tech	03	0	0	0	0	0	0	0	0	0	0	4	0	0	0	4	0
WCTC Degree Totals	03	0	0	0	0	2	4	0	0	0	0	27	18	0	0	29	22

**MAINE PRIVATE COLLEGES AND UNIVERSITIES
POSTSECONDARY COMPLETIONS
AWARDS/DEGREES CONFERRED BETWEEN JULY 1, 1998 AND JUNE 30, 1999**

INSTITUTIONS:

	Award Level	Non Resident Alien	Black Non Hispanic		American Indian or Alaskan Native		Asian or Pacific Islander		Hispanic		White Non Hispanic		Race/Ethnicity Unknown		Grand Total All Students		
			M	F	M	F	M	F	M	F	M	F	M	F	M	F	
Andover College																	
22.0103																	
Paralegal/Legal Assistant	03	0	0	0	0	1	0	0	1	0	2	23	0	0	3	24	
43.0104																	
Criminal Justice Studies	03	0	0	0	1	0	0	0	0	1	5	13	0	0	5	15	
51.0801																	
Medical Assistant	03	0	0	0	1	0	0	0	0	0	2	39	0	0	2	40	
52.0201																	
Business Admin & Mgmt Gen	03	0	0	1	0	0	0	0	0	0	5	20	0	0	6	20	
52.0301																	
Accounting	03	0	0	0	0	0	0	0	1	0	2	21	0	0	2	22	
52.0401																	
Admin Asst/Sec Sci Gen	03	0	0	0	0	0	0	0	1	0	1	23	0	0	1	24	
52.1201																	
Mgt Info Sys/Bus Data Proc Gen	03	0	0	0	0	0	0	0	0	0	31	29	0	0	31	29	
Andover Degree Totals	03	0	0	1	2	0	1	0	2	1	1	48	168	0	0	50	174
Beal College																	
22.0103																	
Paralegal/Legal Assistant	03	0	0	0	0	0	0	0	0	0	1	3	0	6	1	9	
51.0705																	
Medical Office Mgmt	03	0	0	0	0	0	0	0	0	0	0	5	0	3	0	8	
51.0801																	
Medical Assistant	03	0	0	0	0	0	0	0	0	0	0	11	0	10	0	21	
52.0201																	
Business Admin & Mgmt Gen	03	0	0	0	0	0	0	0	0	0	2	1	1	2	3	3	
52.0204																	
Office Supervision & Mgmt	03	0	0	0	0	0	0	0	0	0	0	0	0	0	0	0	
52.0301																	
Accounting	03	0	0	0	0	0	0	0	0	0	3	3	3	1	6	4	

INSTITUTIONS:

	Award Level	Non Resident Alien	Black Non Hispanic		American Indian or Alaskan Native		Asian or Pacific Islander		Hispanic		White Non Hispanic		Race/Ethnicity Unknown		Grand Total All Students	
			M	F	M	F	M	F	M	F	M	F	M	F	M	F
Beal College Cont																
52.0401																
Admin Asst/Sec Sci Gen	03	0	0	0	0	0	0	0	0	0	0	13	0	6	0	19
52.0903																
Travel - Tourism Management	03	0	0	0	0	0	0	0	0	0	0	6	1	2	1	8
43.0104																
Criminal Justice Studies	03	0	0	0	0	0	0	0	0	0	5	2	7	0	12	2
<u>Beal College Degree Totals</u>	03	0	0	0	0	0	0	0	0	0	11	44	12	30	23	74

INSTITUTIONS:

	Award Level	Non Resident Alien		Black Non Hispanic		American Indian or Alaskan Native		Asian or Pacific Islander		Hispanic		White Non Hispanic		Race/Ethnicity Unknown		Grand Total All Students	
		M	F	M	F	M	F	M	F	M	F	M	F	M	F	M	F
Husson College																	
9.0101																	
Communications, General	03	0	0	0	0	0	0	0	1	0	0	0	0	0	0	0	1
11.0401																	
Information Sci & Systems	03	0	0	0	0	0	0	0	0	0	0	1	2	0	0	1	2
22.0103																	
Paralegal/Legal Assistant	03	0	0	0	0	0	0	0	0	0	0	0	1	0	0	0	1
51.0801																	
Medical Assistant	03	0	0	0	0	0	0	0	0	0	1	0	16	0	0	0	17
52.0201																	
Business Admin & Mgmt Gen	03	2	1	2	1	0	0	0	0	0	0	7	16	0	0	11	18
52.0301																	
Accounting	03	0	0	0	0	0	0	0	0	1	0	2	14	0	0	3	14
52.0402																	
Executive Assistant/Secretary	03	0	1	0	0	0	0	0	1	0	0	0	3	0	0	0	5
52.0403																	
Legal Admin Assist/Secretary	03	0	0	0	0	0	0	0	0	0	0	0	2	0	0	0	2
Husson College Degree Total	03	2	2	2	1	0	0	0	2	1	1	10	54	0	0	15	60
Mid-State College																	
08.1199																	
Tour/Travel Svcs Mktg Op Oth	03	0	0	0	0	0	0	0	0	0	0	0	4	0	0	0	4
11.0101																	
Computer & Info Sci Gen	03	0	0	0	0	0	0	0	0	0	0	2	2	0	0	2	2
11.0701																	
Computer Science	03	0	0	0	0	0	0	0	0	0	0	2	4	0	0	2	4
51.0801																	
Medical Assistant	03	0	0	0	0	0	0	0	0	0	0	0	20	0	0	0	20
52.0301																	
Accounting	03	0	0	0	0	0	0	0	0	0	0	3	5	0	0	3	5
52.0401																	
Admin Asst/Sec Sci Gen	03	0	0	0	0	0	0	0	0	0	0	0	11	0	0	0	11
52.0403																	
Legal Admin Asst/Secy	03	0	0	0	0	0	0	0	0	0	0	0	1	0	0	0	1
52.0404																	
Medical Admin Asst/Secy	03	0	0	0	0	0	0	0	0	0	0	0	0	0	0	0	0
52.0405																	
Court Reporter	03	0	0	0	0	0	0	0	0	0	0	0	0	0	0	0	0

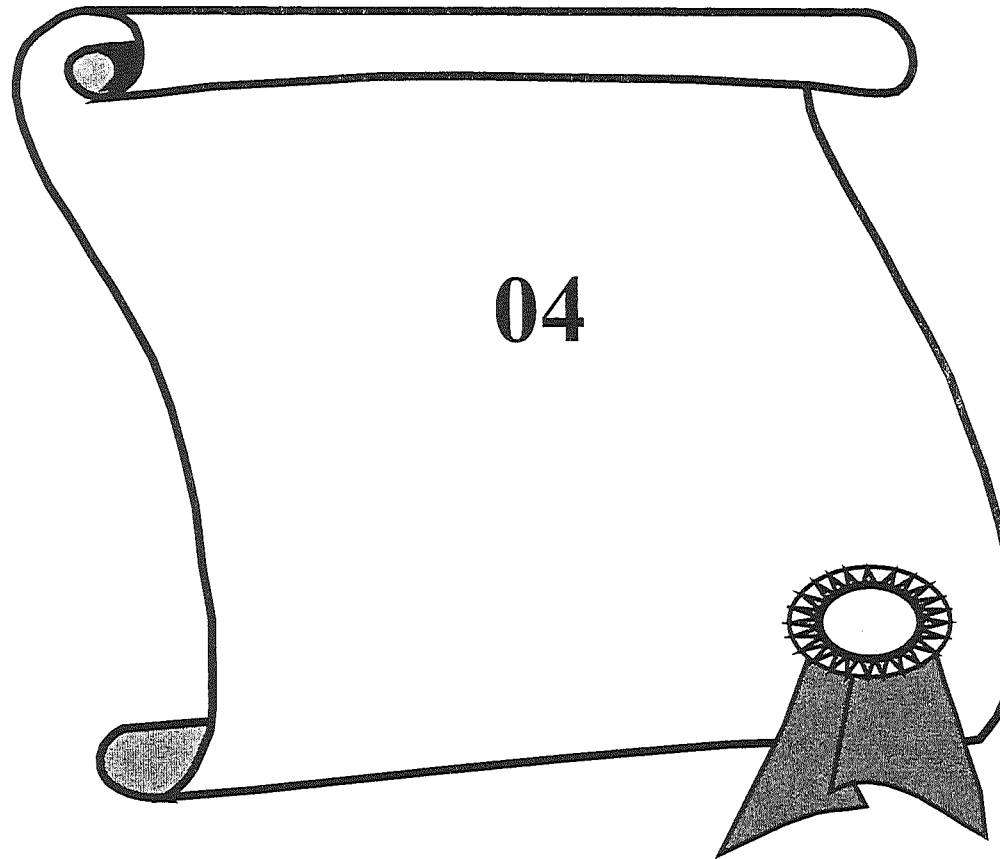
INSTITUTIONS:

	Award Level	Non Resident Alien		Black Non Hispanic		American Indian or Alaskan Native		Asian or Pacific Islander		Hispanic		White Non Hispanic		Race/Ethnicity Unknown		Grand Total All Students	
		M	F	M	F	M	F	M	F	M	F	M	F	M	F	M	F
Mid-State Cont																	
52.0201																	
Business Mgt.	03	0	0	0	0	0	0	0	0	0	0	1	5	0	0	1	5
52.0601																	
Business/Managerial Economic	03	0	0	0	0	0	0	0	0	0	0	0	2	0	0	0	2
Mid-State College Degree Tot	03	0	0	0	0	0	0	0	0	0	0	8	54	0	0	8	54
Saint Joseph's College																	
51.0907																	
Medical Radiologic Tech/Tech	03	0	0	0	0	0	0	0	0	0	0	1	7	0	0	1	7
52.9999																	
Business Admin & Mgmt Oth	03	0	0	0	0	0	0	0	0	0	0	0	4	0	0	0	4
SJC Degree Totals	03	0	0	0	0	0	0	0	0	0	0	1	11	0	0	1	11
Thomas College																	
8.0102																	
Fashion Merchandising	03	0	0	0	0	0	0	0	0	0	0	0	0	0	1	0	1
11.0101																	
Computer & Info Sci Gen	03	0	0	0	0	0	0	0	0	0	0	0	0	0	3	0	3
52.0101																	
Business General	03	0	0	0	0	0	0	0	0	0	0	0	0	3	10	3	10
52.0301																	
Accounting	03	0	0	0	0	0	0	0	0	0	0	0	0	2	1	2	1
52.0402																	
Executive Asst/Secty	03	0	0	0	0	0	0	0	0	0	0	0	0	0	1	0	1
52.0403																	
Legal Admin Asst/Secty	03	0	0	0	0	0	0	0	0	0	0	0	0	0	2	0	2
52.0404																	
Medical Admin Asst/Secty	03	0	0	0	0	0	0	0	0	0	0	0	0	0	4	0	4
22.0103																	
Paralegal	03	0	0	0	0	0	0	0	0	0	0	0	0	1	5	1	5
52.0803																	
Banking & Fin Support Svcs	03	0	0	0	0	0	0	0	0	0	0	0	0	0	0	0	0
Thomas College Degree Total	03	0	0	0	0	0	0	0	0	0	0	0	0	6	27	6	27

INSTITUTIONS:

	Award Level	Non Resident Alien	Black Non Hispanic		American Indian or Alaskan Native		Asian or Pacific Islander		Hispanic		White Non Hispanic		Race/Ethnicity Unknown		Grand Total All Students		
			M	F	M	F	M	F	M	F	M	F	M	F	M	F	
Unity College																	
03.0102																	
Environmental Sci/Studs	03	0	0	0	0	0	0	0	0	0	2	2	0	0	2	2	
24.0101																	
Lib Arts Sci/Lib Studies	03	0	1	0	0	0	0	0	0	0	4	3	0	0	4	4	
<u>Unity College Degree Totals</u>	03	0	1	0	0	0	0	0	0	0	6	5	0	0	6	6	
University of New England																	
51.0602																	
Dental Hygienist	03	0	0	0	0	0	0	1	0	1	1	14	0	1	1	17	
51.1699																	
Nursing Other	03	0	0	0	0	0	0	0	0	0	4	25	0	2	4	27	
<u>UNE Degree Totals</u>	03	0	0	0	0	0	0	1	0	1	5	39	0	3	5	44	
PUBLIC TOTALS	03	4	5	2	2	10	19	4	2	3	5	526	821	32	32	581	886
PRIVATE TOTALS	03	2	3	3	3	0	1	0	5	2	3	89	375	18	60	114	450
TOTAL ALL STUDENTS	03	6	8	5	5	10	20	4	7	5	8	615	1,196	50	92	695	1,336

AWARD LEVEL



04: Awards of at least 2 but less than 4 academic years below the bachelor's level (at least 1800 but less than 3600 contact or clock hours)

**MAINE PUBLIC COLLEGES AND UNIVERSITIES
POSTSECONDARY COMPLETIONS
AWARDS/DEGREES CONFERRED BETWEEN JULY 1, 1998 AND JUNE 30, 1999**

INSTITUTIONS:

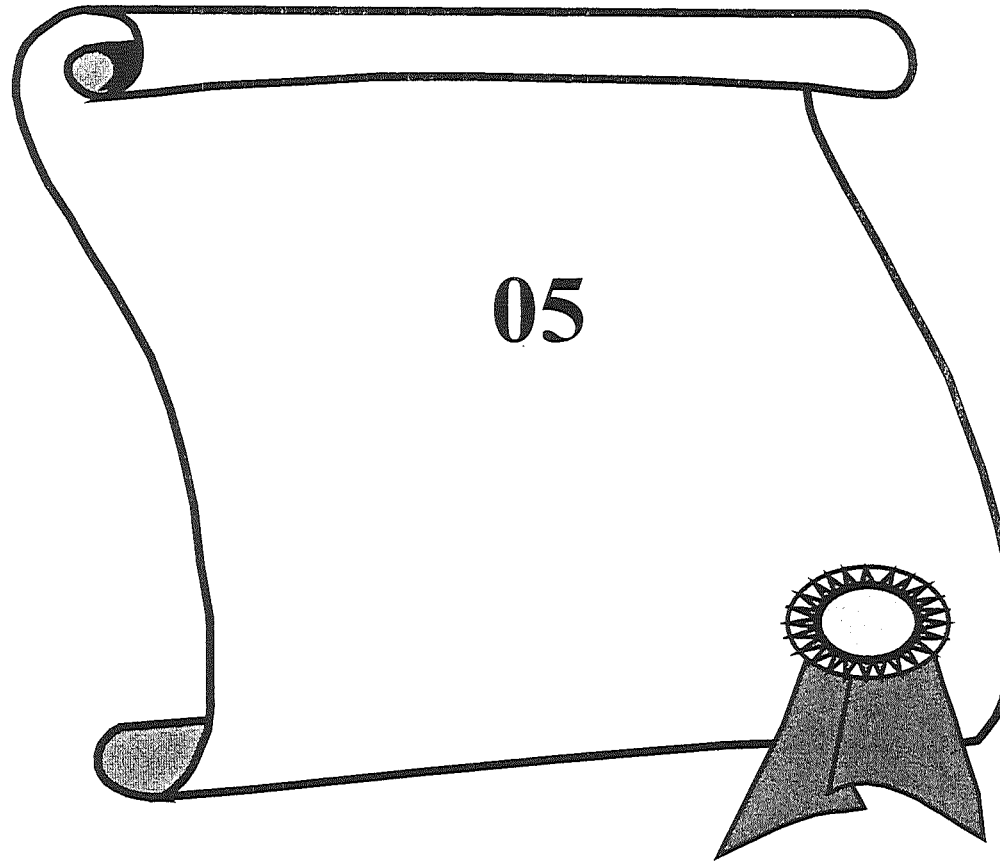
	Award Level	Non Resident Alien	Black Non Hispanic		American Indian or Alaskan Native		Asian or Pacific Islander		Hispanic		White Non Hispanic		Race/Ethnicity Unknown		Grand Total All Students		
			M	F	M	F	M	F	M	F	M	F	M	F	M	F	
Eastern Maine Technical College																	
15.1001																	
Construction/Bldg Tech/Tech	04	0	0	0	0	0	0	0	0	0	0	3	0	0	0	3	0
47.0201																	
Heating/AC/Refrig Mech/Rep	04	0	0	0	0	0	0	0	0	0	0	6	0	0	0	6	0
47.0699																	
Veh/Mobil Equip Mech/Rep	04	0	0	0	0	0	0	0	0	0	0	8	0	0	0	8	0
48.0508																	
Welder/Welding Tech	04	0	0	0	0	0	0	0	0	0	0	7	0	0	0	7	0
47.0302																	
Heavy Equip Maint/Repair	04	0	0	0	0	0	0	0	0	0	0	1	0	0	0	1	0
EMTC Degree Totals	04	0	0	0	0	0	0	0	0	0	0	25	0	0	0	25	0
Northern Maine Technical College																	
15.0404																	
Instrumentation Tech/Tech	04	0	0	0	0	0	0	0	0	0	0	1	0	0	0	1	0
46.0201																	
Carpenter	04	0	0	0	0	0	0	0	0	0	0	1	0	0	0	1	0
46.0302																	
Electrician	04	1	0	0	0	0	0	0	0	0	0	7	0	2	0	10	0
46.9999																	
Construction Trades Oth	04	0	0	0	0	1	0	0	0	0	0	4	0	1	0	6	0
47.0104																	
Computer Install & Repair	04	0	0	0	0	0	0	0	0	0	0	1	0	0	0	1	0
47.0603																	
Auto/Automotive Body Repair	04	0	0	0	0	0	0	0	0	0	0	5	0	0	0	5	0
47.0604																	
Auto/Automotive Mech/Tech	04	0	0	0	0	0	0	0	0	0	0	3	0	1	0	4	0
47.0699																	
Veh/Mobil Equip Mech/Rep Oth	04	0	0	0	0	0	0	0	0	0	0	3	0	0	0	3	0
48.0101																	
Drafting General	04	2	0	0	0	0	0	0	0	0	0	1	0	0	0	3	0
48.0506																	
Sheet Metal Worker	04	0	0	0	0	0	0	0	0	0	0	3	0	2	0	5	0
52.0302																	
Accounting	04	0	0	0	0	0	0	0	0	0	0	1	0	0	0	1	0
NMTC Degree Totals	04	3	0	0	0	1	0	0	0	0	0	30	0	6	0	40	0

INSTITUTIONS:

	Award Level	Non Resident Alien		Black Non Hispanic		American Indian or Alaskan Native		Asian or Pacific Islander		Hispanic		White Non Hispanic		Race/Ethnicity Unknown		Grand Total All Students	
		M	F	M	F	M	F	M	F	M	F	M	F	M	F	M	F
Southern Maine Technical Colleg																	
20.0401																	
Institution Food Wkr/Adm Gen	04	0	0	0	0	0	0	0	0	0	0	1	3	0	0	1	3
46.0201																	
Carpenter	04	0	0	0	0	0	0	0	0	0	0	0	0	0	0	0	0
46.0302																	
Electrician	04	0	0	0	0	0	0	0	0	0	0	1	0	0	0	1	0
47.0201																	
Heating/AC/Refrig Mech/Rep	04	0	0	0	0	0	0	0	0	0	0	2	0	0	0	2	0
47.0604																	
Auto/Automotive Mech/Tech	04	0	0	0	0	0	0	0	0	0	0	3	0	1	0	4	0
48.0501																	
Machinist/Machine Tech	04	0	0	0	0	0	0	0	0	0	0	1	0	0	0	1	0
SMTC Degree Totals	04	0	0	0	0	0	0	0	0	0	0	8	3	1	0	9	3
Washington County Tech College																	
46.9999																	
Construction Trades Oth	04	0	0	0	0	0	0	0	0	0	0	0	0	0	0	0	0
47.9999																	
Mechanics & Repairers Oth	04	0	0	0	0	0	0	0	0	0	0	0	0	0	0	0	0
WCTC Degree Totals	04	0	0	0	0	0	0	0	0	0	0	0	0	0	0	0	0
TOTAL ALL STUDENTS	04	3	0	0	0	1	0	0	0	0	0	63	3	7	0	74	3

* No Level 04 awards were issued by Maine Private Colleges and Universities

AWARD LEVEL



05: Bachelor's Degree

**MAINE PUBLIC COLLEGES AND UNIVERSITIES
POSTSECONDARY COMPLETIONS
AWARDS/DEGREES CONFERRED BETWEEN JULY 1, 1998 AND JUNE 30, 1999**

INSTITUTIONS:

	Award Level	Non Resident Alien		Black Non Hispanic		American Indian or Alaskan Native		Asian or Pacific Islander		Hispanic		White Non Hispanic		Race/Ethnicity Unknown		Grand Total All Students	
		M	F	M	F	M	F	M	F	M	F	M	F	M	F	M	F
Maine Maritime Academy																	
14.2201																	
Naval Arch & Marine Eng	05	2	0	0	0	0	0	0	0	0	0	35	0	0	0	37	0
14.2701																	
Systems Engineering	05	1	0	0	0	0	0	1	0	0	0	4	0	0	0	6	0
15.9999																	
Engineering - Related T/T Oth	05	0	0	0	0	0	0	0	0	0	0	14	1	0	0	14	1
26.9999																	
Biological Sci/Life Sci Oth	05	0	0	0	1	0	0	0	0	0	1	3	10	0	0	3	12
49.0309																	
Marine Sci/Merch Marine Ofc	05	1	0	0	0	0	0	0	0	0	0	37	4	0	0	38	4
0																	
International Business & Logistic	05	0	0	0	0	0	0	0	0	0	0	1	0	0	0	1	0
MMA Degree Totals	05	4	0	0	1	0	0	1	0	0	1	94	15	0	0	99	17
University of Maine Orono																	
01.0103																	
Agriculture Economics	05	0	0	0	0	0	0	0	0	0	0	0	3	0	0	0	3
01.0303																	
Aquaculture Oper & Prod Mgmt	05	0	0	0	0	0	0	0	0	0	0	0	0	0	0	0	0
01.0605																	
Landscaping Operations Mgmt	05	0	0	0	0	1	0	0	0	0	0	3	5	0	0	4	5
02.0101																	
Agricult/Agri Sciences Gen	05	0	0	0	0	0	0	0	0	0	0	2	3	0	0	2	3
02.0201																	
Animals Sciences General	05	0	0	0	0	0	0	1	0	0	0	2	14	0	0	3	14
02.0301																	
Food Sciences & Technology	05	0	0	0	0	0	0	0	0	0	0	5	14	0	0	5	14
03.0299																	
Nat Res Mgmt/Protect Svc Oth	05	0	0	0	0	0	0	0	0	0	0	17	8	0	0	17	8
03.0501																	
Forestry General	05	0	0	0	0	0	0	0	0	0	0	26	0	0	0	26	0
03.0509																	
Wood Sci & Pulp/Paper Tech	05	0	0	0	0	0	0	0	0	0	0	0	0	0	0	0	0
03.0599																	
Forestry & Related Sci Oth	05	0	0	0	0	0	0	0	0	0	0	1	1	0	0	1	1

INSTITUTIONS:

	Award Level	Non Resident Alien		Black Non Hispanic		American Indian or Alaskan Native		Asian or Pacific Islander		Hispanic		White Non Hispanic		Race/Ethnicity Unknown		Grand Total All Students	
		M	F	M	F	M	F	M	F	M	F	M	F	M	F	M	F
UM Orono Cont																	
03.0601																	
Wildlife & Wildlands Mgmt	05	0	0	0	0	0	0	0	0	0	0	10	10	0	0	10	10
09.0401																	
Journalism	05	0	0	0	0	0	0	0	1	0	0	10	12	0	0	10	13
09.0403																	
Mass Communications	05	0	0	0	0	0	0	0	0	0	0	14	6	1	0	15	6
11.0701																	
Computer Science	05	0	1	0	0	0	0	1	0	0	0	18	1	1	0	20	2
13.1202																	
Elementary Teacher Education	05	0	0	0	0	0	0	0	0	0	0	21	83	0	1	21	84
13.1205																	
Secondary Teacher Education	05	0	0	1	0	0	0	0	0	0	0	14	12	0	0	15	12
13.1302																	
Art Teacher Education	05	0	0	0	0	0	0	0	0	0	0	7	0	0	0	7	7
13.1307																	
Health Teacher Education	05	0	0	0	0	0	0	0	0	0	0	0	0	0	0	0	0
13.1312																	
Music Education Teacher	05	0	0	0	0	0	0	0	0	0	0	4	10	0	1	4	11
13.1314																	
Phys Ed Teaching & Coaching	05	0	0	2	0	0	1	1	0	1	0	30	11	0	1	34	13
14.0301																	
Agricultural Engineering	05	0	0	0	0	0	0	0	0	0	0	4	0	0	0	4	0
14.0701																	
Chemical Engineering	05	0	1	0	0	1	0	2	0	0	0	18	19	0	0	21	20
14.0801																	
Civil Engineering General	05	0	0	0	0	0	0	0	0	1	0	26	4	0	0	27	4
14.0899																	
Civil Engineering Other	05	0	0	0	0	0	0	0	0	0	0	1	0	0	0	1	0

INSTITUTIONS:

	Award Level	Non Resident Alien		Black Non Hispanic		American Indian or Alaskan Native		Asian or Pacific Islander		Hispanic		White Non Hispanic		Race/Ethnicity Unknown		Grand Total All Students	
		M	F	M	F	M	F	M	F	M	F	M	F	M	F	M	F
UM Orono Cont																	
14.1001																	
Elect Electron & Comm Eng	05	2	0	0	0	0	0	1	0	0	0	17	3	0	0	20	3
14.1201																	
Engineering Physics	05	0	0	0	0	0	0	0	0	0	0	2	0	0	0	2	0
14.1901																	
Mechanical Engineering	05	4	0	0	0	1	1	0	0	0	0	25	1	0	0	30	2
15.0201																	
Civil Eng/Civil Tech/Tech	05	0	0	0	0	1	0	0	0	0	0	15	2	0	0	16	2
15.0399																	
Elect/Elect Eng - Rel T/T Oth	05	0	0	0	0	0	0	0	0	0	0	12	0	0	0	12	0
15.0805																	
Mechanical Eng/Mech Tech/T	05	0	0	0	0	0	0	0	0	0	0	25	1	0	0	25	1
16.0101																	
Foreign Languages & Lit Gen	05	0	0	0	0	0	0	0	0	0	0	0	5	0	0	0	5
16.0501																	
German Lanuage/Literature	05	0	0	0	0	0	0	0	0	0	0	0	0	0	0	0	0
16.0901																	
French Language/Literature	05	0	0	0	0	0	0	0	0	0	0	0	1	0	0	0	1
16.0905																	
Spanish Language/Literature	05	0	0	0	0	0	0	0	0	0	0	0	0	0	0	0	0
16.0999																	
Romance Language/Lit Other	05	0	0	0	0	0	0	0	0	0	0	1	0	0	0	1	0
16.1203																	
Latin Lang/Lit (Anc & Med)	05	0	0	0	0	0	0	0	0	0	0	0	0	0	0	0	0
19.0499																	
Family/Consumer Res Mgmt Ot	05	0	0	0	0	0	0	0	0	0	0	0	1	0	0	0	1
19.0501																	
Foods/Nutrition Studies Gen	05	0	0	0	0	0	0	0	0	0	0	0	0	0	0	0	0
19.0701																	
Indiv/Fam Develop Studs Gen	05	0	0	0	0	0	2	0	0	0	0	0	35	0	0	0	37
23.0101																	
English Language/Lit General	05	0	0	0	0	0	1	0	0	0	0	18	19	0	0	18	20

INSTITUTIONS:

	Award Level	Non Resident Alien		Black Non Hispanic		American Indian or Alaskan Native		Asian or Pacific Islander		Hispanic		White Non Hispanic		Race/Ethnicity Unknown		Grand Total All Students	
		M	F	M	F	M	F	M	F	M	F	M	F	M	F	M	F
UM Orono Cont																	
23.1001																	
Speech & Rhetorical Studies	05	0	0	0	0	0	0	0	0	0	0	2	17	0	0	2	17
24.0101																	
Lib Arts, Sci/Lib Studies	05	0	0	0	0	0	1	0	0	0	0	11	17	0	0	11	18
26.0101																	
Biology General	05	0	0	0	0	0	0	0	2	0	0	8	14	0	0	8	16
26.0202																	
Biochemistry	05	0	1	0	0	0	0	0	0	0	1	4	3	0	0	4	5
26.0301																	
Botany General	05	0	0	0	0	0	0	0	0	0	0	1	0	0	0	1	0
26.0402																	
Molecular Biology	05	0	0	0	0	0	0	0	0	0	0	0	0	0	0	0	0
26.0501																	
Microbiology/Bacteriology	05	0	0	0	0	0	0	0	0	0	0	2	3	1	0	3	3
26.0701																	
Zoology General	05	0	1	0	0	0	0	0	0	0	0	6	9	0	0	6	10
27.0101																	
Mathematics	05	0	0	0	0	0	0	0	0	0	0	4	4	0	0	4	4
31.0301																	
Parks/Rec/Leisure Facil Mgmt	05	0	0	0	0	1	0	0	0	0	0	5	2	0	0	6	2
38.0101																	
Philosophy	05	0	0	0	0	0	0	0	0	0	0	3	1	0	0	3	1
40.0501																	
Chemistry General	05	0	0	0	0	0	0	0	0	0	0	1	1	0	0	1	1
40.0601																	
Geology	05	0	0	0	0	0	0	0	0	0	0	0	0	0	0	0	0
40.0801																	
Physics General	05	0	0	0	0	0	0	0	0	0	0	0	0	0	0	0	0
42.0101																	
Psychology General	05	0	3	1	0	0	1	0	1	0	0	17	31	0	0	18	36

INSTITUTIONS:

	Award Level	Non Resident Alien		Black Non Hispanic		American Indian or Alaskan Native		Asian or Pacific Islander		Hispanic		White Non Hispanic		Race/ Ethnicity Unknown		Grand Total All Students	
		M	F	M	F	M	F	M	F	M	F	M	F	M	F	M	F
UM Orono Cont																	
44.0401																	
Public Administration	05	0	0	0	0	0	0	0	0	0	0	5	4	0	0	5	4
44.0701																	
Social Work	05	0	0	0	0	0	0	0	0	0	0	4	14	0	0	4	14
45.0201																	
Anthropology	05	0	0	0	0	0	0	0	0	0	0	10	11	0	0	10	11
45.0601																	
Economics General	05	2	1	0	0	0	0	0	1	0	0	8	1	0	0	10	3
45.0801																	
History General	05	0	0	1	0	0	0	0	0	0	0	10	10	1	0	12	10
45.1001																	
Political Science General	05	0	1	0	0	0	0	0	0	0	0	8	14	0	0	8	15
45.1101																	
Sociology	05	0	0	0	0	0	0	0	0	0	0	5	16	0	0	5	16
50.0501																	
Drama/Theater Arts Gen	05	0	0	0	0	0	0	0	0	0	0	3	2	0	0	3	2
50.0701																	
Art General	05	0	0	0	0	0	0	0	0	0	0	8	10	0	0	8	10
50.0901																	
Music General	05	0	0	0	0	0	0	0	0	0	0	0	1	0	0	0	1
50.0903																	
Music General Performance	05	0	0	0	0	0	0	0	0	0	0	4	0	0	0	4	0
51.0201																	
Communication Disorders Gen	05	0	0	0	0	0	1	0	0	0	0	0	10	0	0	0	11
51.1005																	
Medical Technology	05	0	0	0	0	0	0	0	0	0	0	2	4	0	0	2	4
51.1601																	
Nursing (RN Training)	05	0	1	0	0	0	0	0	1	0	2	15	68	0	0	15	72
52.0201																	
Business Admin & Mgmt Gen	05	4	2	2	0	0	1	2	2	1	0	57	37	0	0	66	42

INSTITUTIONS:

	Award Level	Non Resident Alien		Black Non Hispanic		American Indian or Alaskan Native		Asian or Pacific Islander		Hispanic		White Non Hispanic		Race/Ethnicity Unknown		Grand Total All Students	
		M	F	M	F	M	F	M	F	M	F	M	F	M	F	M	F
UM Orono Cont																	
05.0207																	
Womens Studies	05	0	0	0	0	0	0	0	0	0	0	0	1	0	0	0	1
40.0702																	
Oceanography	05	0	0	0	0	0	0	0	0	0	0	1	0	0	0	1	0
UM Orono Degree Totals	05	12	12	7	0	5	9	8	8	3	3	545	596	4	3	584	631
University of Maine Augusta																	
23.0101																	
English Language/Lit Gen	05	0	0	0	1	0	0	0	0	0	0	1	4	0	0	1	5
27.9999																	
Mathematics, Other	05	0	0	0	0	0	0	0	0	0	0	0	1	0	0	0	1
44.0401																	
Public Administration	05	0	0	0	0	0	0	0	0	0	0	5	3	0	0	5	3
45.0101																	
Social Sciences General	05	0	0	0	0	0	0	0	0	0	0	3	15	0	0	3	15
50.0999																	
Music Other	05	0	0	0	0	0	0	0	0	0	0	0	1	0	0	0	1
51.1599																	
Mental Health and Human Svcs	05	0	0	0	0	0	0	0	0	0	0	1	9	0	0	1	9
52.0101																	
Business General	05	0	0	0	0	1	1	0	0	0	1	11	19	0	0	12	21
UM Augusta Degree Totals	05	0	0	0	1	1	1	0	0	0	1	21	52	0	0	22	55
University of Maine Farmington																	
13.1005																	
Educ - Emotionally Handicapped	05	0	0	0	0	0	0	0	0	0	0	0	7	0	0	0	7
13.1006																	
Educ - Mentally Handicapped	05	0	0	0	0	0	0	0	0	0	0	0	10	0	0	0	10
13.1011																	
Educ - Specific Learn Disabled	05	0	0	0	0	0	2	0	0	0	0	1	20	0	1	1	23
13.1012																	
Educ - Speech Impaired	05	0	0	0	0	0	0	0	0	0	0	0	10	0	0	0	10
13.1099																	
Special Education Other	05	0	0	0	0	0	0	0	1	0	0	0	8	0	0	0	9
13.1202																	
Elementary Teacher Education	05	0	0	0	0	0	0	0	0	0	0	4	69	0	1	4	70

INSTITUTIONS:

	Award Level	Non Resident Alien		Black Non Hispanic		American Indian or Alaskan Native		Asian or Pacific Islander		Hispanic		White Non Hispanic		Race/Ethnicity Unknown		Grand Total All Students	
		M	F	M	F	M	F	M	F	M	F	M	F	M	F	M	F
UM Farmington Cont																	
13.1204																	
Pre Elem/EC/Kindergn Tchr Ed	05	0	1	0	0	0	0	0	0	0	0	0	12	0	0	0	13
13.1205																	
Secondary Teacher Education	05	0	0	1	0	0	0	0	0	0	0	25	18	1	1	27	19
13.1307																	
Health Teacher Education	05	0	0	0	0	0	0	0	0	0	0	1	0	0	0	1	0
23.0101																	
English Language/Lit Gen	05	0	0	0	0	0	0	0	0	0	1	5	4	0	0	5	5
23.0501																	
English Creative Writing	05	0	0	0	0	0	0	0	0	0	0	3	2	0	0	3	2
24.0102																	
General Studies	05	0	0	0	0	0	0	0	0	1	0	4	4	0	0	5	4
26.0101																	
Biology General	05	0	0	0	0	0	0	0	0	0	0	3	8	0	0	3	8
27.0101																	
Mathematics	05	0	0	0	0	0	0	0	1	0	0	3	3	0	0	3	4
30.9999																	
Multi/Interdis Studs Oth	05	0	0	0	1	0	0	0	0	0	0	30	13	0	3	30	17
42.0101																	
Psychology General	05	0	0	0	0	0	0	0	0	0	0	10	36	0	0	10	36
45.0701																	
Geography	05	0	0	0	0	0	0	0	0	0	0	1	1	0	0	1	1
45.0801																	
History General	05	0	0	0	0	0	0	0	0	0	0	6	3	0	0	6	3
51.2207																	
Public Health Ed & Promotion	05	0	0	0	0	0	0	0	0	0	0	6	4	0	0	6	4
51.2399																	
Rehab/Therapeutic Svcs Oth	05	0	0	0	0	0	0	0	0	0	0	2	14	0	1	2	15
UM Farmington Degree Totals	05	0	1	1	1	0	2	0	2	1	1	104	246	1	7	107	260

INSTITUTIONS:

Award Level	Non Resident Alien		Black Non Hispanic		American Indian or Alaskan Native		Asian or Pacific Islander		Hispanic		White Non Hispanic		Race/ Ethnicity Unknown		Grand Total All Students		
	M	F	M	F	M	F	M	F	M	F	M	F	M	F	M	F	
University of Maine Fort Kent																	
11.9999																	
Computers & Info Science Oth	05	1	0	0	0	0	0	0	0	0	0	3	0	0	0	4	0
13.1202																	
Elementary Teacher Education	05	14	38	0	0	0	0	0	0	0	0	2	4	0	0	16	42
23.0101																	
English Language/Lit Gen	05	0	0	0	0	0	0	0	0	0	0	2	0	0	0	2	0
24.0101																	
Lib Arts Sci/Lib Studies	05	0	0	0	0	0	0	0	0	0	0	1	3	0	0	1	3
26.0101																	
Biology General	05	0	0	0	0	0	0	0	0	0	0	3	1	0	0	3	1
30.0101																	
Biological & Physical Sci	05	0	0	0	0	0	0	0	0	0	0	4	2	0	0	4	2
45.0101																	
Social Sciences General	05	0	2	0	0	0	0	0	0	0	0	4	11	0	0	4	13
45.9999																	
Social Sci & History Oth	05	0	0	0	0	0	0	0	0	0	0	1	0	0	0	1	0
51.1601																	
Nursing (RN Training)	05	0	0	0	0	0	0	0	0	0	0	1	11	0	0	1	11
52.0101																	
Business General	05	2	0	0	0	0	0	0	0	0	0	5	6	0	0	7	6
UM Fort Kent Degree Totals	05	17	40	0	0	0	0	0	0	1	0	26	38	0	11	43	78

INSTITUTIONS:

Award Level	Non Resident Alien		Black Non Hispanic		American Indian or Alaskan Native		Asian or Pacific Islander		Hispanic		White Non Hispanic		Race/Ethnicity Unknown		Grand Total All Students	
	M	F	M	F	M	F	M	F	M	F	M	F	M	F	M	F

University of Maine Machias	M	F	M	F	M	F	M	F	M	F	M	F	M	F	M	F		
03.0102																		
Environmental Science/Studs	05	0	0	0	0	0	0	0	0	0	0	0	8	8	0	0	8	8
13.1202																		
Elementary Teacher Education	05	0	1	0	0	0	0	0	0	0	0	0	2	11	0	0	2	12
13.1203																		
Jr Hi/Intermd/Mid Sch Tch Ed	05	0	0	0	0	0	0	0	0	0	0	0	1	1	0	0	1	1
13.1303																		
Business Teacher Ed (Voc)	05	0	0	0	0	0	0	0	0	0	0	0	0	2	0	0	0	2
23.0101																		
English Language/Lit Gen	05	0	0	0	0	1	0	0	0	0	0	0	6	4	0	0	6	5
31.0301																		
Parks/Rec/Leisure Facils Mgt	05	0	0	0	0	0	0	0	0	0	0	0	5	5	0	0	5	5
45.0801																		
History General	05	0	0	0	1	0	0	0	0	0	0	0	0	2	0	0	1	2
50.0101																		
Visual & Performing Arts	05	0	0	0	0	0	0	0	0	0	0	0	0	1	0	0	0	1
51.1502																		
Psych/Mental Health Svc Tech	05	0	0	0	0	0	0	0	0	0	0	0	1	6	0	0	1	6
52.0201																		
Business Admin & Mgmt Gen	05	0	0	1	0	0	1	0	0	0	0	0	2	0	0	0	3	1
52.0301																		
Accounting	05	0	1	0	0	0	0	0	0	0	0	0	3	1	0	0	3	2
52.0401																		
Admin Asst/Sec Sci, Gen	05	0	0	0	0	0	0	0	0	0	0	0	0	1	0	0	0	1
52.1401																		
Bus Marketing & Market Mgmt	05	0	0	0	0	0	0	0	0	0	0	0	1	0	0	0	1	0
26.0101																		
Biology	05	1	0	0	0	0	0	0	0	0	0	0	2	3	0	0	3	3
UM Machias Degree Totals	05	1	2	1	0	1	2	0	0	0	0	0	31	45	0	0	34	49

INSTITUTIONS:

Award Level	Non Resident Alien	Black Non Hispanic		American Indian or Alaskan Native		Asian or Pacific Islander		Hispanic		White Non Hispanic		Race/Ethnicity Unknown		Grand Total All Students			
		M	F	M	F	M	F	M	F	M	F	M	F	M	F		
University of Maine Presque Isle																	
09.0101																	
Communications General	05	0	0	0	0	0	0	0	0	0	0	3	0	0	0	3	
13.1202																	
Elementary Teacher Education	05	1	9	0	0	0	0	0	0	0	0	13	0	0	1	22	
13.1314																	
Phys Ed Teaching & Coaching	05	0	0	0	0	0	0	0	0	0	0	4	3	0	0	4	3
16.0901																	
French Language/Literature	05	0	0	0	0	0	0	0	0	0	0	1	0	0	0	1	0
23.0101																	
English Language/Lit Gen	05	0	0	0	0	0	0	0	0	0	0	2	0	0	0	2	0
24.0101																	
Lib Arts Sci/Lib Studies	05	10	21	0	0	0	0	0	0	0	0	4	7	0	0	14	28
26.0101																	
Biology General	05	0	0	0	0	0	0	0	0	0	0	2	3	0	0	2	3
27.0101																	
Mathematics	05	0	0	0	0	0	0	0	0	0	0	1	0	0	0	0	1
30.0101																	
Biological & Physical Sci	05	0	0	0	0	0	0	0	0	0	0	1	1	0	0	1	1
30.9999																	
Multi/Interdisc Studs Other	05	0	1	0	1	1	0	0	1	0	0	10	15	0	0	11	18
31.0301																	
Parks/Rec/Leisure Facils Mgmt	05	1	0	0	0	0	0	0	0	0	0	9	2	0	0	10	2
44.0701																	
Social Work	05	0	3	0	0	0	0	0	0	0	0	1	15	0	0	1	18
45.0101																	
Social Sciences General	05	0	0	0	0	0	0	0	0	0	0	0	0	0	0	0	0

INSTITUTIONS:

	Award Level	Non Resident Alien		Black Non Hispanic		American Indian or Alaskan Native		Asian or Pacific Islander		Hispanic		White Non Hispanic		Race/Ethnicity Unknown		Grand Total All Students	
		M	F	M	F	M	F	M	F	M	F	M	F	M	F	M	F
UM Presque Isle Cont																	
45.0801																	
History General	05	0	1	0	0	0	0	0	0	0	0	3	3	0	0	3	4
45.1001																	
Political Science General	05	0	0	0	0	0	0	0	0	0	0	0	1	0	0	0	1
43.0104																	
Criminal Justice Studies	05	0	0	0	0	0	0	0	0	0	0	5	0	0	0	5	0
50.0701																	
Art General	05	0	1	0	0	0	0	0	0	0	0	4	2	0	0	4	3
52.0101																	
Business General	05	2	0	0	0	0	0	0	0	0	0	7	3	0	0	9	3
52.0301																	
Accounting	05	0	0	0	0	0	0	0	0	0	0	5	5	0	0	5	5
UM Presque Isle Degree Total	05	14	36	0	1	1	0	0	1	0	0	58	77	0	0	73	115
University of Southern Maine																	
03.0102																	
Environmental Science/Studs	05	0	0	0	0	0	0	0	0	0	0	9	8	0	0	9	8
09.0101																	
Communications General	05	0	0	0	0	0	1	0	0	0	0	17	24	0	0	17	25
11.0701																	
Computer Science	05	0	0	0	0	0	0	0	0	0	0	13	1	0	0	13	1
13.1202																	
Elementary Teacher Education	05	0	0	0	0	1	0	0	0	0	0	0	2	0	0	1	2
13.1309																	
Tech Tchr Ed/Ind Art Tchr Ed	05	0	0	0	0	0	0	0	0	0	0	8	3	0	0	8	3
13.1312																	
Music Teacher Education	05	0	0	0	0	0	0	0	0	0	0	3	4	0	0	3	4

INSTITUTIONS:

	Award Level	Non Resident Alien	Black Non Hispanic		American Indian or Alaskan Native		Asian or Pacific Islander		Hispanic		White Non Hispanic		Race/ Ethnicity Unknown		Grand Total All Students		
			M	F	M	F	M	F	M	F	M	F	M	F	M	F	
USM Cont																	
13.1320																	
Trade & Indst Tchr Ed (Voc)	05	0	0	0	0	0	0	0	0	0	0	8	2	0	0	8	2
14.1001																	
Elect Electron & Comm Eng	05	0	0	0	0	0	0	1	0	0	0	6	0	0	0	7	0
15.0603																	
Industrial/Manuf Tech/Tech	05	0	0	0	0	1	0	0	0	0	0	30	1	0	0	31	1
16.0901																	
French Language/Literature	05	0	0	0	0	0	0	0	0	1	0	3	0	0	0	4	
23.0101																	
English Language/Lit Gen	05	0	0	0	0	0	0	0	1	0	1	15	38	0	0	15	40
24.0101																	
Lib Arts Sci/Lib Studies	05	0	0	0	0	0	2	0	0	0	1	12	35	0	0	12	38
24.0103																	
Humanities/Humanistic Studs	05	0	0	0	0	0	0	0	0	0	0	0	2	0	0	0	2
26.0101																	
Biology General	05	0	0	0	0	0	0	1	0	0	1	10	20	0	0	11	21
27.0101																	
Mathematics	05	0	0	0	0	0	0	0	0	1	3	2	0	0	3	3	
38.0101																	
Philosophy	05	0	0	1	0	0	0	0	0	0	4	4	0	0	5	4	
40.0101																	
Physical Sciences General	05	0	0	0	0	0	0	0	0	0	0	3	0	0	0	3	
40.0501																	
Chemistry General	05	0	0	0	0	0	0	0	0	0	4	3	0	0	4	3	
40.0601																	
Geology	05	0	0	0	0	0	0	1	0	0	0	3	0	0	0	4	0

INSTITUTIONS:

	Award Level	Non Resident Alien		Black Non Hispanic		American Indian or Alaskan Native		Asian or Pacific Islander		Hispanic		White Non Hispanic		Race/Ethnicity Unknown		Grand Total All Students	
		M	F	M	F	M	F	M	F	M	F	M	F	M	F	M	F
USM Cont																	
40.0801																	
Physics General	05	0	0	0	0	0	0	0	0	0	0	3	1	0	0	3	1
42.0101																	
Psychology General	05	0	0	0	0	0	2	0	1	0	1	16	44	0	0	16	48
44.0701																	
Social Work	05	0	0	0	0	0	1	0	0	0	0	6	56	0	0	6	57
45.0401																	
Criminology	05	0	0	0	0	1	0	0	0	0	0	23	13	0	0	24	13
45.0601																	
Economics General	05	0	0	0	0	0	0	0	0	0	0	8	4	0	0	8	4
45.0801																	
History General	05	0	0	0	0	0	0	0	0	1	0	22	13	0	0	23	13
45.1001																	
Political Science General	05	0	0	0	0	0	0	1	0	0	0	15	18	0	0	16	18
45.1101																	
Sociology	05	0	0	0	0	0	0	0	0	0	0	3	33	0	0	3	33
45.9999																	
Social Sci & History Oth	05	0	0	0	1	0	0	0	1	0	0	7	40	0	0	7	42
50.0501																	
Drama/Theater Arts Gen	05	0	0	0	0	0	0	0	0	0	0	5	5	0	0	5	5
50.0701																	
Art General	05	0	0	0	0	0	0	0	0	0	0	12	26	0	0	12	26
50.0901																	
Music General	05	0	0	0	0	0	0	0	0	0	0	3	1	0	0	3	1
50.0903																	
Music General Performance	05	0	0	0	0	0	0	0	0	0	0	2	4	0	0	2	4

INSTITUTIONS:

	Award Level	Non Resident Alien		Black Non Hispanic		American Indian or Alaskan Native		Asian or Pacific Islander		Hispanic		White Non Hispanic		Race/Ethnicity Unknown		Grand Total All Students	
		M	F	M	F	M	F	M	F	M	F	M	F	M	F	M	F
USM Cont																	
51.1601																	
Nursing (RN Training)	05	0	0	0	0	0	0	0	2	0	0	7	95	0	0	7	97
51.2309																	
Recreational Therapy	05	0	0	0	0	0	0	0	0	0	0	2	17	0	0	2	17
52.0201																	
Business Admin & Mgmt Gen	05	0	0	0	0	0	0	0	3	0	1	37	45	0	0	37	49
52.0299																	
Business Admin & Mgmt Oth	05	0	0	0	0	0	0	1	0	0	0	3	9	0	0	4	9
52.0301																	
Accounting	05	0	0	0	0	0	0	0	1	0	0	11	14	0	0	11	15
51.0999																	
Health/Med Diag/Tx Svcs Oth	05	0	0	0	0	0	0	0	0	0	0	0	3	0	0	0	3
05.0207																	
Womens Studies	05	0	0	0	0	0	0	0	0	0	0	1	1	0	0	1	1
USM Degree Totals	05	0	0	1	1	3	6	5	9	1	7	331	597	0	0	341	620
PUBLIC TOTALS	05	48	91	10	5	11	20	14	20	6	13	1,210	1,666	5	21	1,303	1,825

**MAINE PRIVATE COLLEGES AND UNIVERSITIES
POSTSECONDARY COMPLETIONS
AWARDS/DEGREES CONFERRED BETWEEN JULY 1, 1998 AND JUNE 30, 1999**

INSTITUTIONS:

Award Level	Non Resident Alien		Black Non Hispanic		American Indian or Alaskan Native		Asian or Pacific Islander		Hispanic		White Non Hispanic		Race/Ethnicity Unknown		Grand Total All Students	
	M	F	M	F	M	F	M	F	M	F	M	F	M	F	M	F
Bangor Theological Seminary																
39.0601																
Theology/Theological Studies	05	0	0	0	0	0	0	0	0	0	0	4	0	0	0	4
BTS Degree Totals	05	0	0	0	0	0	0	0	0	0	0	4	0	0	0	4
Bates College																
05.0101																
African Studies	05	0	0	1	0	0	0	0	0	0	0	1	0	0	1	1
05.0102																
American Studies/Civilization	05	0	0	0	1	0	0	0	2	0	0	2	6	0	0	9
05.0104																
East Asian Studies	05	1	0	1	0	0	0	0	0	0	0	4	2	0	0	6
05.0207																
Women's Studies	05	0	0	0	0	0	0	0	0	0	0	3	0	0	0	3
14.0101																
Engineering General	05	0	0	0	0	0	0	0	0	0	0	3	1	0	0	4
16.0301																
Chinese Language/Literature	05	0	0	0	0	0	0	0	0	0	0	1	0	0	0	1
16.0402																
Russian Language/Literature	05	0	0	0	0	0	0	0	0	0	0	1	2	0	0	3
16.0501																
German Language/Literature	05	0	0	0	0	0	0	0	0	0	0	2	0	0	0	2
16.0901																
French Language/Literature	05	0	0	0	0	0	0	1	0	0	1	5	0	1	1	7
16.0905																
Spanish Language/Literature	05	0	0	0	0	0	0	1	0	0	0	5	0	0	0	6
23.0101																
English Language/Lit Gen	05	0	0	1	1	0	0	0	1	0	0	14	23	1	1	26
23.1001																
Speech & Rhetorical Studies	05	0	0	0	0	0	0	0	0	0	0	1	1	0	0	2
26.0101																
Biology General	05	0	0	0	1	0	0	0	1	0	2	21	23	1	1	28

INSTITUTIONS:

	Award Level	Non Resident Alien	Black Non Hispanic		American Indian or Alaskan Native		Asian or Pacific Islander		Hispanic		White Non Hispanic		Race/Ethnicity Unknown		Grand Total All Students		
			M	F	M	F	M	F	M	F	M	F	M	F	M	F	
Bates College Cont																	
26.0202																	
Biochemistry	05	0	0	0	0	0	0	0	0	0	0	7	3	1	0	8	3
27.0101																	
Mathematics	05	0	1	0	0	0	0	0	0	0	0	2	2	0	0	2	3
30.1301																	
Medieval & Renaissance Studs	05	0	0	0	0	0	0	0	0	0	0	0	0	0	0	0	
30.9999																	
Multi/Interdisc Studs Oth	05	0	0	0	0	0	0	1	0	1	0	11	14	0	0	13	14
38.0101																	
Philosophy	05	0	0	0	0	0	0	0	0	0	0	3	1	0	0	3	1
38.0201																	
Religion/Religious Studies	05	0	0	0	0	0	0	0	0	0	0	3	1	0	0	3	1
40.0501																	
Chemistry General	05	0	0	0	0	0	0	0	0	0	0	4	2	0	0	4	2
40.0601																	
Geology	05	0	0	0	0	0	0	0	0	0	0	11	4	0	0	11	4
40.0801																	
Physics General	05	2	0	0	0	0	0	1	0	0	0	6	5	1	0	10	5
42.0101																	
Psychology General	05	1	1	1	0	0	0	0	1	0	0	10	33	0	0	12	35
45.0201																	
Anthropology	05	0	1	0	0	0	0	1	0	0	0	2	6	0	1	3	8
45.0601																	
Economics General	05	3	1	0	0	0	0	0	0	0	0	20	7	2	1	25	9
45.0801																	
History General	05	0	0	0	0	0	0	0	1	1	0	10	12	0	1	11	14

INSTITUTIONS:

	Award Level	Non Resident Alien		Black Non Hispanic		American Indian or Alaskan Native		Asian or Pacific Islander		Hispanic		White Non Hispanic		Race/Ethnicity Unknown		Grand Total All Students	
		M	F	M	F	M	F	M	F	M	F	M	F	M	F	M	F
Bates College Cont																	
45.1001																	
Political Science General	05	2	1	0	1	0	0	0	1	0	0	18	18	1	0	21	21
45.1101																	
Sociology	05	0	0	0	0	0	0	0	0	0	0	0	2	0	0	0	2
50.0501																	
Drama/Theater Arts Gen	05	0	0	0	0	0	0	0	1	0	0	1	2	0	0	1	3
50.0703																	
Art Hist, Criticism, Conserv	05	0	0	0	0	0	0	0	1	0	1	7	10	0	1	7	13
50.0901																	
Music General	05	0	0	0	0	0	0	1	0	0	0	1	1	0	0	2	1
03.0102																	
Environmental Science/Studies	05	0	0	0	0	0	0	0	0	0	0	0	0	0	0	0	0
Bates College Degree Totals	05	9	5	4	4	0	0	4	11	2	3	163	198	7	7	189	228
Bowdoin College																	
03.0102																	
Environmental Science/Studies	05	0	0	0	0	0	0	1	0	0	0	10	14	0	1	11	15
05.0103																	
Asian Studies	05	0	0	0	0	0	0	0	2	0	0	2	1	0	0	2	3
05.0201																	
Afro-Amer (Black) Studies	05	0	0	0	0	0	0	0	0	0	0	0	0	0	1	0	1
05.0207																	
Women's Studies	05	0	0	0	0	0	0	0	0	0	1	0	6	0	0	0	7
11.0701																	
Computer Science	05	0	0	0	0	0	0	0	0	0	0	4	0	0	0	4	0
16.0402																	
Russian Language/Literature	05	0	0	0	0	0	0	0	0	0	0	1	1	0	0	1	1

INSTITUTIONS:

	Award Level		Non Resident Alien		Black Non Hispanic		American Indian or Alaskan Native		Asian or Pacific Islander		Hispanic		White Non Hispanic		Race/Ethnicity Unknown		Grand Total All Students	
	M	F	M	F	M	F	M	F	M	F	M	F	M	F	M	F	M	F
Bowdoin College Cont																		
16.0501																		
German Language/Literature	05	0	0	0	0	0	0	0	0	0	0	0	5	4	0	0	5	4
16.0901																		
French Language/Literature	05	0	0	0	0	0	0	0	0	0	1	3	8	1	1	4	10	
16.0905																		
Spanish Language	05	0	0	0	0	0	0	0	0	0	0	4	9	0	0	4	9	
16.0999																		
Romance Language/Lit Oth	05	0	0	0	0	0	0	0	0	0	0	0	1	0	1	0	2	
16.1201																		
Classics/Classical Lang/Lit	05	0	0	0	0	0	0	0	0	0	0	1	1	0	0	1	1	
23.0101																		
English Language/Lit Gen	05	0	0	1	1	0	0	0	3	1	1	10	14	2	1	14	20	
26.0101																		
Biology General	05	0	0	0	0	1	0	2	1	0	1	12	21	1	2	16	25	
26.0202																		
Biochemistry	05	0	0	0	0	0	0	3	2	1	0	7	9	0	1	11	12	
27.0101																		
Mathematics	05	1	0	0	0	0	0	0	0	0	0	3	3	0	1	4	4	
30.9999																		
Multi/Interdisc Studs, Oth	05	0	0	0	0	0	0	0	0	0	0	4	1	0	0	4	1	
38.0101																		
Philosophy	05	1	0	0	0	0	0	0	0	0	0	7	1	0	0	8	1	
38.0201																		
Religion/Religious Studies	05	0	0	0	0	0	0	0	0	0	0	4	2	2	0	6	2	
40.0501																		
Chemistry General	05	0	0	0	0	0	0	0	0	0	0	3	1	0	0	3	1	
40.0599																		
Chemistry, Other	05	0	0	0	0	0	0	0	0	0	0	0	1	0	0	0	1	
40.0601																		
Geology	05	0	0	0	0	0	0	0	0	0	0	4	1	1	0	5	1	

INSTITUTIONS:

	Award Level	Non Resident Alien		Black Non Hispanic		American Indian or Alaskan Native		Asian or Pacific Islander		Hispanic		White Non Hispanic		Race/ Ethnicity Unknown		Grand Total All Students	
		M	F	M	F	M	F	M	F	M	F	M	F	M	F	M	F
Bowdoin College Cont																	
40.0801																	
Physics General	05	0	0	0	0	0	0	0	0	0	0	4	0	0	0	4	0
42.0101																	
Psychology General	05	0	0	0	0	0	0	0	1	0	0	3	7	0	1	3	9
45.0201																	
Anthropology	05	0	0	0	0	0	0	0	0	0	1	3	3	1	0	4	4
45.0301																	
Archeology	05	0	0	0	0	0	0	0	0	0	0	2	2	0	0	2	2
45.0601																	
Economics General	05	2	0	0	0	0	0	1	1	1	0	18	5	2	2	24	8
45.0801																	
History General	05	0	0	0	1	0	0	0	0	0	0	14	14	2	1	16	16
45.1099																	
Political Sci & Govt Oth	05	2	1	0	1	0	0	4	4	0	0	28	11	1	1	35	18
45.1101																	
Sociology	05	1	1	0	1	0	0	3	3	0	0	5	12	0	1	9	18
50.0702																	
Fine/Studio Arts	05	0	0	0	0	0	0	0	1	0	0	4	4	0	0	4	5
50.0703																	
Art History Criticism Conserv	05	0	0	0	0	0	0	0	1	0	0	1	6	0	0	1	7
50.0901																	
Music General	05	0	0	1	0	0	0	0	0	0	0	1	1	0	0	2	1
26.0608																	
Neuroscience	05	0	0	0	0	0	0	1	0	0	0	3	3	0	0	4	3
Bowdoin Degree Totals	05	7	2	2	4	1	0	15	19	3	5	170	167	13	15	211	212

INSTITUTIONS:

	Award Level	Non Resident Alien	Black Non Hispanic		American Indian or Alaskan Native		Asian or Pacific Islander		Hispanic		White Non Hispanic		Race/Ethnicity Unknown		Grand Total All Students		
			M	F	M	F	M	F	M	F	M	F	M	F	M	F	
Colby College																	
03.0102																	
Environmental Science/Studs	05	0	0	0	0	0	1	0	0	0	2	8	0	0	3	8	
05.0102																	
American Studies/Civilization	05	0	0	0	0	0	0	0	0	0	15	14	0	0	15	14	
05.0104																	
East Asian Studies	05	0	0	0	0	0	0	1	0	0	1	0	0	0	1	1	
5.0107																	
Latin American Studies	05	0	1	0	0	0	0	0	0	0	1	1	0	0	1	2	
05.0110																	
Russian Slavic Area Studies	05	0	0	0	0	0	0	1	0	0	1	0	0	0	1	1	
05.0199																	
Area Studies Other	05	0	1	0	0	0	0	3	0	0	12	15	0	0	15	17	
05.0207																	
Women's Studies	05	0	0	0	1	0	0	0	0	0	1	2	0	0	1	3	
11.0701																	
Computer Science	05	1	0	0	0	0	1	0	0	0	3	0	0	0	5	0	
16.0501																	
German Language/Literature	05	0	0	0	0	0	1	0	0	0	0	1	0	0	1	1	
16.0901																	
French Language/Literature	05	0	0	0	1	0	0	1	0	0	2	4	0	0	3	5	
16.0905																	
Spanish Language/Literature	05	0	2	0	0	0	0	0	0	0	2	8	0	0	2	10	
16.1201																	
Classics/Classical Lang Lit	05	0	0	0	0	0	0	0	0	0	1	0	0	0	1	0	
23.0801																	
English Lit (Brit/Commwlth)	05	0	0	1	0	0	0	1	5	0	1	24	35	0	0	26	41

INSTITUTIONS:

	Award Level		Non Resident Alien		Black Non Hispanic		American Indian or Alaskan Native		Asian or Pacific Islander		Hispanic		White Non Hispanic		Race/Ethnicity Unknown		Grand Total All Students	
	M	F	M	F	M	F	M	F	M	F	M	F	M	F	M	F	M	F
Colby College Cont																		
26.0101																		
Biology General	05	1	0	0	0	0	1	1	1	1	2	0	29	35	0	0	34	37
27.0101																		
Mathematics	05	1	0	0	0	0	0	0	2	0	0	0	4	6	0	0	7	6
30.9999																		
Multi/Interdisc Studies, Oth	05	0	0	0	0	0	0	0	0	0	0	0	1	0	0	0	1	0
38.0101																		
Philosophy	05	0	0	0	0	0	1	0	1	0	0	0	7	2	0	0	9	2
38.0201																		
Religion/Religious Studies	05	0	0	0	0	0	0	0	0	0	0	0	2	3	0	0	2	3
40.0501																		
Chemistry General	05	0	0	0	0	0	0	0	0	0	0	0	5	7	0	0	5	7
40.0601																		
Geology	05	0	0	0	0	0	0	0	0	0	0	0	3	3	0	0	3	3
40.0801																		
Physics General	05	1	1	0	0	0	0	0	1	0	0	0	7	2	0	0	9	3
42.0101																		
Psychology General	05	0	0	0	0	0	0	0	1	1	0	0	8	29	0	0	9	30
45.0201																		
Anthropology	05	0	0	0	0	0	0	0	1	0	0	0	2	13	0	0	3	13
45.0601																		
Economics General	05	1	1	0	0	0	0	0	2	0	0	0	33	12	0	0	36	13
45.0801																		
History General	05	1	0	0	0	0	0	0	0	0	0	0	10	17	0	0	11	17

INSTITUTIONS:

	Award Level	Non Resident Alien		Black Non Hispanic		American Indian or Alaskan Native		Asian or Pacific Islander		Hispanic		White Non Hispanic		Race/Ethnicity Unknown		Grand Total All Students	
		M	F	M	F	M	F	M	F	M	F	M	F	M	F	M	F
Colby College Cont																	
45.1001																	
Political Science General	05	0	1	0	0	1	0	2	1	0	0	25	18	0	0	28	20
45.1101																	
Sociology	05	0	0	0	0	0	0	0	0	0	1	4	7	0	0	4	8
50.0501																	
Drama/Theater Arts Gen	05	0	0	0	0	0	0	0	0	0	0	3	7	0	0	3	7
50.0703																	
Art Hist Criticism Conserv	05	0	1	1	0	0	0	0	0	0	0	2	7	0	0	3	8
50.0902																	
Music History & Literature	05	0	0	0	1	0	0	1	0	0	0	4	3	0	0	5	4
52.9999																	
Bus Mgmt Admin Svcs Other	05	0	0	0	0	0	0	0	0	0	0	5	0	0	0	5	0
Colby College Degree Totals	05	6	8	2	3	3	2	20	9	2	3	219	259	0	0	252	284
College of the Atlantic																	
30.9999																	
Multi/Interdisc Studs Other	05	0	0	0	0	0	0	0	0	1	1	0	0	17	33	18	34
COA Degree Totals	05	0	0	0	0	0	0	0	0	1	1	0	0	17	33	18	34
Husson College																	
11.0101																	
Computer & Info Sciences Gen	05	0	0	0	0	0	0	1	0	0	0	5	3	0	0	6	3
22.0103																	
Legal Assisting	05	0	0	0	0	0	0	0	0	0	0	1	5	0	0	1	5
24.0103																	
Humanities/Humanistic Studies	05	0	1	0	0	0	0	0	0	0	0	1	1	0	0	1	2
51.1601																	
Nursing (RN Training)	05	0	0	0	0	0	1	0	0	0	0	3	37	0	0	3	38
52.0201																	
Business Admin & Mgmt Gen	05	0	0	1	0	1	1	1	0	0	1	26	37	0	0	29	39

INSTITUTIONS:

	Award Level	Non Resident Alien		Black Non Hispanic		American Indian or Alaskan Native		Asian or Pacific Islander		Hispanic		White Non Hispanic		Race/Ethnicity Unknown		Grand Total All Students	
		M	F	M	F	M	F	M	F	M	F	M	F	M	F	M	F
Husson College Cont																	
52.0301																	
Accounting	05	0	1	0	0	0	0	0	0	0	1	18	38	0	0	18	40
52.0402																	
Executive Assistant/Secty	05	0	0	0	0	0	0	0	0	0	0	0	4	0	0	0	4
52.0405																	
Court Reporter	05	0	0	0	0	0	0	0	0	0	0	0	0	0	0	0	0
52.0801																	
Finance General	05	0	0	0	0	0	0	0	0	0	0	6	4	0	0	6	4
52.0999																	
Hospitality Svcs Mgmt Oth	05	1	0	0	0	0	0	1	0	0	0	6	1	0	0	8	1
52.1101																	
International Business	05	0	0	0	0	0	0	0	0	0	0	0	2	0	0	0	2
52.1401																	
Bus Marketing & Market Mgmt	05	1	0	0	0	0	0	0	0	0	0	3	2	0	0	4	2
13.1303																	
Business Teacher Education	05	0	0	0	0	0	0	0	0	0	0	0	1	0	0	0	1
Husson College Degree Total	05	2	2	1	0	1	2	3	0	0	2	69	135	0	0	76	141
Maine College of Art																	
50.0402																	
Graphic Des/Comm Art/Illust	05	0	0	0	0	0	0	0	0	0	0	4	1	0	0	4	1
50.0605																	
Photography	05	0	0	0	0	0	0	0	0	0	0	3	4	0	0	3	4
50.0701																	
Art, General	05	0	0	0	0	0	0	0	0	0	0	0	0	0	0	0	0
50.0708																	
Painting	05	0	0	0	0	1	0	0	0	0	0	1	4	0	0	2	4
50.0709																	
Sculpture	05	0	0	0	0	0	0	0	0	0	0	2	4	0	0	2	4
50.0711																	
Ceramics Arts & Ceramics	05	0	0	0	0	0	0	0	0	0	0	2	6	0	0	2	6
50.0713																	
Metal & Jewelry Arts	05	0	0	0	0	0	0	0	0	0	0	1	5	0	0	1	5
50.0701																	
Printmaking	05	0	0	0	0	0	0	0	0	0	0	5	2	0	0	5	2
MECA Degree Totals	05	0	0	0	0	1	0	0	0	0	0	18	26	0	0	19	26

INSTITUTIONS:

St Joseph's College

09.0403
 Mass Communications
 13.0101
 Education General
 13.1314
 Phys Ed Teaching & Coaching
 23.0101
 English Language/Lit Gen
 26.0101
 Biology General
 27.0101
 Mathematics
 38.0101
 Philosophy
 39.0601
 Theology
 40.0101
 Physical Sciences General
 42.0101
 Psychology General
 45.0801
 History General
 51.0701
 Health Sys/Health Svcs Admin
 51.0907
 Medical Radiologic Tech/Tech
 51.1601
 Nursing (RN Training)
 52.0299
 Business Admin & Mgmt Oth

Award Level	Non Resident Alien		Black Non Hispanic		American Indian or Alaskan Native		Asian or Pacific Islander		Hispanic		White Non Hispanic		Race/Ethnicity Unknown		Grand Total All Students	
	M	F	M	F	M	F	M	F	M	F	M	F	M	F	M	F
05	0	0	0	0	0	0	0	0	0	0	4	7	0	0	4	7
05	0	0	0	0	0	0	0	0	0	0	3	28	0	0	3	28
05	0	0	0	0	0	0	0	0	0	0	5	4	0	0	5	4
05	0	0	0	0	0	0	0	0	0	0	1	2	0	0	1	2
05	0	0	0	0	0	0	0	0	0	0	5	12	0	0	5	12
05	0	0	0	0	0	0	0	0	0	0	3	1	0	0	3	1
05	0	0	0	0	0	0	0	0	0	0	2	0	0	0	2	0
05	0	0	0	0	0	0	0	0	0	0	1	0	0	0	1	0
05	0	0	0	0	0	0	0	0	0	0	3	0	0	0	3	0
05	0	0	2	0	0	0	0	0	0	0	3	4	0	0	5	4
05	0	0	0	0	0	0	0	0	0	0	2	5	0	0	2	5
05	0	0	1	3	0	0	0	1	0	0	1	61	7	78	9	143
05	0	0	0	0	0	0	0	0	0	0	1	2	1	2	2	4
05	0	0	0	1	0	0	0	0	0	0	6	42	0	0	6	43
05	0	0	0	1	0	0	0	1	0	0	11	4	3	6	14	12

INSTITUTIONS:

	Award Level	Non Resident Alien		Black Non Hispanic		American Indian or Alaskan Native		Asian or Pacific Islander		Hispanic		White Non Hispanic		Race/Ethnicity Unknown		Grand Total All Students	
		M	F	M	F	M	F	M	F	M	F	M	F	M	F	M	F
St Joseph's College Cont																	
52.0301																	
Accounting	05	0	0	0	0	0	0	0	0	0	0	4	3	0	0	4	3
52.1401																	
Bus Marketing & Market Mgmt	05	0	0	0	0	0	0	0	0	0	0	0	1	0	0	0	1
45.1101																	
Sociology	05	0	0	0	0	0	0	0	0	0	0	3	7	0	0	3	7
St Joseph's College Degree T	05	0	0	3	5	0	0	0	2	0	0	58	183	11	86	72	276
Thomas College																	
11.0101																	
Computer & Info Science Gen	05	0	0	0	0	0	0	0	0	0	0	0	0	11	2	11	2
13.1303																	
Business Teacher Ed (Voc.)	05	0	0	0	0	0	0	0	0	0	0	0	0	0	4	0	4
13.1311																	
Mathematics Teacher Ed	05	0	0	0	0	0	0	0	0	0	0	0	0	2	0	2	0
31.0504																	
Sport & Fitness Admin/Mgmt	05	0	1	0	0	0	0	0	0	0	0	0	0	7	3	7	4
52.0201																	
Business Admin & Mgmt Gen	05	0	0	0	0	0	0	0	0	0	0	0	0	5	15	5	15
52.0301																	
Accounting	05	0	0	0	0	0	0	0	0	0	0	0	0	7	12	7	12
52.0801																	
Finance General	05	0	0	0	0	0	0	0	0	0	0	0	0	1	6	1	6
52.1401																	
Bus Marketing & Market Mgmt	05	0	0	0	0	0	0	0	0	0	0	0	0	1	2	1	2
52.1001																	
Human Res. Mgmt	05	0	0	0	0	0	0	0	0	0	0	0	0	0	1	0	1
52.1101																	
International Business	05	0	0	0	0	0	0	0	0	0	0	0	0	0	0	0	0
Thomas College Degree Total	05	0	1	0	0	0	0	0	0	0	0	0	0	34	45	34	46

INSTITUTIONS:

Award Level	Non Resident Alien	Black Non Hispanic	American Indian or Alaskan Native	Asian or Pacific Islander	Hispanic	White Non Hispanic	Race/Ethnicity Unknown	Grand Total All Students
-------------	--------------------	--------------------	-----------------------------------	---------------------------	----------	--------------------	------------------------	--------------------------

Unity College

1.0303
 Aquaculture Oper & Prod. Mgmt
 03.0201
 Nat Resources Mgmt & Policy
 03.0301
 Fishing & Fishery Sci & Mgmt
 03.0502
 Forestry Sciences
 03.0601
 Wildlife & Wildlands Mgmt
 03.9999
 Conserv & Renew Nat Res Oth
 24.0103
 Humanities/Humanistic Studs
 31.0101
 Parks/Rec/Leisure Studies
Unity Degree Totals

	M	F	M	F	M	F	M	F	M	F	M	F	M	F	M	F
05	0	0	0	0	0	0	0	0	0	0	9	0	0	0	9	0
05	0	0	0	0	0	0	0	0	0	0	9	3	0	0	9	3
05	0	0	0	0	0	0	0	0	0	0	3	1	0	0	3	1
05	0	0	0	0	0	0	0	0	0	0	4	0	0	0	4	0
05	0	0	0	0	0	0	0	0	0	0	14	7	0	0	14	7
05	0	0	0	0	0	0	0	0	0	0	23	1	0	0	23	1
05	0	0	0	0	0	0	0	0	0	0	2	4	0	0	2	4
05	0	0	0	0	0	0	0	0	0	0	16	11	0	0	16	11
05	0	0	0	0	0	0	0	0	0	0	71	27	0	0	71	27

University of New England

03.0102
 Environmental Science/Studs
 13.1202
 Elementary Teacher Education
 13.1204
 PreElem/EC/Kindergn Tchr Ed
 24.0101
 Lib Arts Sci/Lib Studies
 26.0101
 Biology General
 26.0607
 Marine/Aquatic Biology
 31.0503
 Athletic Training
 31.0504
 Sport & Fitness Admin/Mgmt

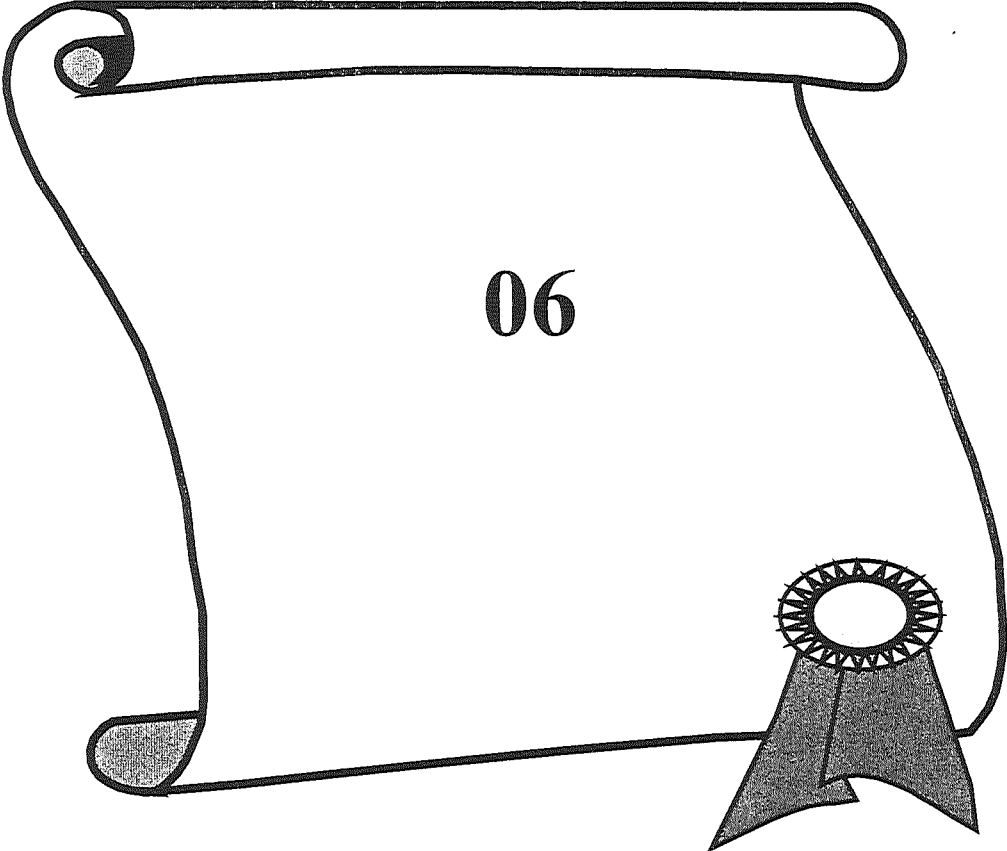
05	0	0	0	0	0	0	0	0	0	0	4	4	0	0	4	4
05	0	0	0	0	0	0	0	0	0	0	4	4	0	0	4	4
05	0	0	0	0	0	0	0	0	0	0	0	1	0	0	0	1
05	0	0	0	0	0	0	0	0	0	0	0	0	0	0	0	0
05	0	0	0	0	0	1	0	0	0	0	1	2	0	0	1	3
05	0	0	0	0	0	0	0	0	0	0	2	9	0	0	2	9
05	0	0	0	0	0	0	0	0	0	0	0	1	0	0	0	1
05	0	0	0	0	0	0	0	0	0	0	3	2	0	0	3	2

INSTITUTIONS:

	Award Level	Non Resident Alien		Black Non Hispanic		American Indian or Alaskan Native		Asian or Pacific Islander		Hispanic		White Non Hispanic		Race/Ethnicity Unknown		Grand Total All Students	
		M	F	M	F	M	F	M	F	M	F	M	F	M	F	M	F
UNE Cont																	
31.0505																	
Exercise Science	05	0	0	0	0	0	0	0	0	0	0	0	1	0	0	0	1
42.0101																	
Psychology General	05	0	0	0	0	0	0	0	0	0	0	0	5	0	0	0	5
42.9999																	
Psychology Other	05	0	0	0	0	0	0	0	0	0	0	2	5	0	0	2	5
51.0602																	
Dental Hygienist	05	0	0	0	0	0	0	0	0	0	0	1	10	0	0	1	10
51.0702																	
Hospital/Health Facil Admin	05	0	0	0	0	0	0	0	0	0	0	2	2	0	0	2	2
51.1399																	
Medical Basic Sciences Oth	05	0	0	0	0	0	0	1	0	0	0	5	9	0	1	6	10
51.1699																	
Nursing Other	05	0	0	0	0	0	0	0	0	0	0	2	18	0	0	2	18
51.2202																	
Environmental Health	05	0	0	0	0	0	0	0	0	0	0	1	0	0	0	1	0
51.2306																	
Occupational Therapy	05	0	0	0	0	0	0	0	0	0	1	9	39	0	0	9	40
51.2308																	
Physical Therapy	05	0	0	0	0	0	0	0	0	1	0	10	27	0	0	11	27
51.9999																	
Health Prof. & Related Science	05	0	0	0	0	0	0	0	0	0	0	2	0	0	0	2	0
52.9999																	
Bus Mgmt & Admin Svcs Oth	05	0	0	0	0	0	0	0	0	0	0	3	6	4	6	7	12
51.1005																	
Medical Technology	05	0	0	0	0	0	0	0	0	0	0	0	2	0	0	0	2
UNE Degree Totals	05	0	0	0	0	0	1	1	0	1	1	51	147	4	7	57	156
New England Baptist Bible College																	
39.0201																	
Bible/Biblical Studies	05	0	0	0	0	0	0	0	0	0	0	4	2	0	0	4	2
NEBBC Degree Totals	05	0	0	0	0	0	0	0	0	0	0	4	2	0	0	4	2

	Award Level	Non Resident Alien	Black Non Hispanic	American Indian or Alaskan Native	Asian or Pacific Islander	Hispanic	White Non Hispanic	Race/ Ethnicity Unknown	Grand Total All Students								
	M	F	M	F	M	F	M	F	M	F	M	F	M	F	M	F	
PUBLIC TOTALS	05	48	91	10	5	11	20	14	20	6	13	1,210	1,666	5	21	1304	1836
PRIVATE TOTALS	05	24	18	12	16	6	5	43	41	9	15	823	1148	86	193	1003	1436
TOTAL ALL STUDENTS	05	72	109	22	21	17	25	57	61	15	28	2,033	2,814	91	214	2,307	3,272

AWARD LEVEL



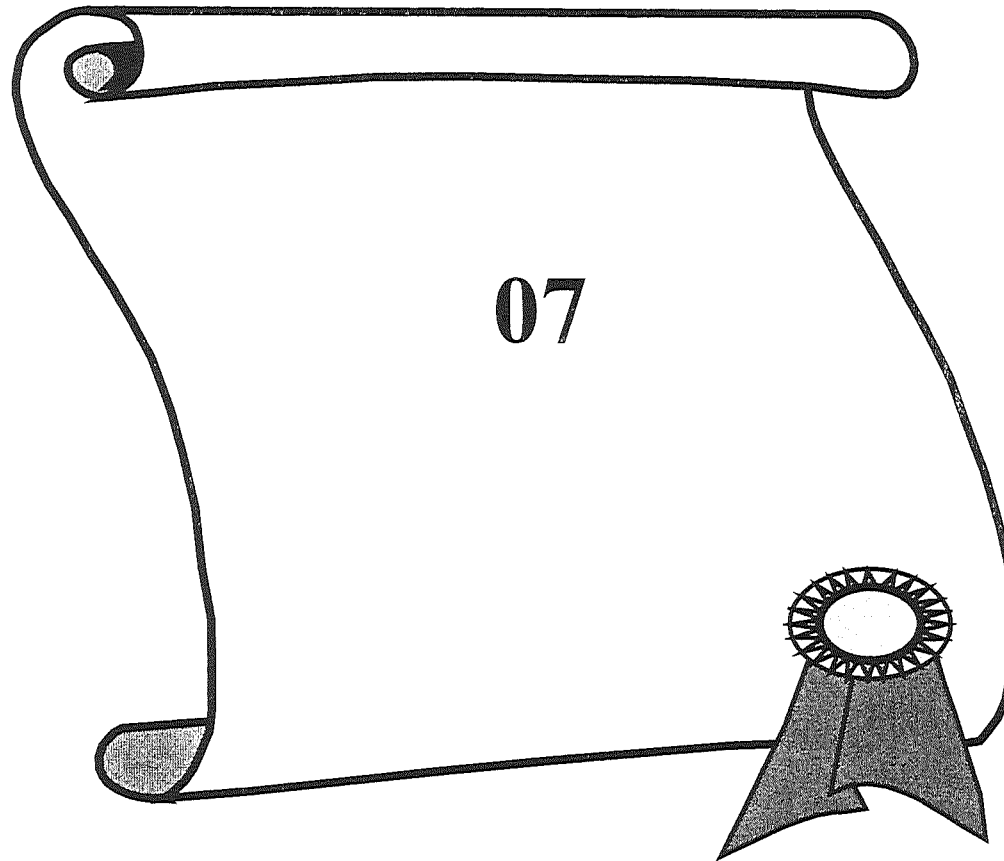
06: Postbaccalaureate Certificate

**MAINE PUBLIC COLLEGES AND UNIVERSITIES
POSTSECONDARY COMPLETIONS
AWARDS/DEGREES CONFERRED BETWEEN JULY 1, 1998 AND JUNE 30, 1999**

INSTITUTIONS:

	Award Level	Non Resident Alien	Black Non Hispanic		American Indian or Alaskan Native		Asian or Pacific Islander		Hispanic		White Non Hispanic		Race/Ethnicity Unknown		Grand Total All Students	
			M	F	M	F	M	F	M	F	M	F	M	F	M	F
University of Maine																
Orono																
3.0509																
Wood Sci & Pulp/Paper Tech	6	2	0	0	0	0	0	0	0	0	0	0	0	0	2	0
13.0101																
Education General	6	0	0	0	0	0	0	0	0	0	0	0	0	0	0	0
UMO Degree Totals	6	2	0	0	0	0	0	0	0	0	0	0	0	0	2	0
<hr/>																
PUBLIC TOTALS	6	2	0	0	0	0	0	0	0	0	0	0	0	0	2	0
<hr/>																
PRIVATE TOTALS	6	0	0	0	0	0	0	0	0	0	0	0	0	0	0	0
<hr/>																
TOTAL ALL STUDENTS	6	2	0	0	0	0	0	0	0	0	0	0	0	0	2	0

AWARD LEVEL



07: Master's Degree

**MAINE PUBLIC COLLEGES AND UNIVERSITIES
POSTSECONDARY COMPLETIONS
AWARDS/DEGREES CONFERRED BETWEEN JULY 1, 1998 AND JUNE 30, 1999**

INSTITUTIONS:

Award Level	Non Resident Alien	Black Non Hispanic		American Indian or Alaskan Native		Asian or Pacific Islander		Hispanic		White Non Hispanic		Race/Ethnicity Unknown		Grand Total All Students	
-------------	--------------------	--------------------	--	-----------------------------------	--	---------------------------	--	----------	--	--------------------	--	------------------------	--	--------------------------	--

		M	F		M	F		M	F		M	F		M	F		M	F	
Maine Maritime Academy																			
52.9999																			
Business Mgmt	07	4	0	0	0	0	0	0	0	0	0	0	1	0	0	0	5	0	
MMA Degree Totals	07	4	0	0	0	0	0	0	0	0	0	0	1	0	0	0	5	0	
University of Maine Orono																			
01.0103																			
Agriculture Economics	07	1	0	0	0	0	0	0	0	0	0	3	3	0	0	0	4	3	
01.0303																			
Aquaculture Oper & Prod Mgmt	07	0	0	0	0	0	0	0	0	0	0	0	1	0	0	0	0	1	
1.0605																			
Landscaping Operations, Mgmt	07	0	0	0	0	0	0	0	0	0	0	0	1	0	0	0	0	1	
02.0301																			
Food Sciences & Technology	07	0	0	0	0	0	0	0	0	0	1	6	0	0	0	1	6		
02.0499																			
Plant Sciences Other	07	0	0	0	0	0	0	0	0	0	1	0	0	0	0	1	0		
03.0102																			
Environmental Science/Studs	05	0	0	0	0	0	0	0	0	0	0	1	0	0	0	0	1		
03.0299																			
Nat Res Mgmt/Protect Svc Oth	07	0	0	0	0	0	0	0	0	0	0	0	0	0	0	0	0	0	
03.0501																			
Forestry General	07	5	0	0	0	0	0	1	0	0	0	4	1	0	0	10	1		
03.0601																			
Wildlife & Wildlands Mgmt	07	0	0	0	0	0	0	0	0	0	0	1	0	0	0	0	1		
11.0701																			
Computer Sciences	07	2	1	0	0	0	0	0	0	0	0	3	0	0	0	5	1		
13.0101																			
English General	07	0	0	0	0	0	0	0	0	0	0	0	0	0	0	0	0		
13.0401																			
Educ Admin & Supervis Gen	07	0	0	0	0	1	0	0	0	0	0	10	11	0	0	11	11		
13.0406																			
Higher Education Admin	07	0	0	0	0	0	0	0	0	0	0	2	1	0	0	2	1		

INSTITUTIONS:

	Award Level	Non Resident Alien		Black Non Hispanic		American Indian or Alaskan Native		Asian or Pacific Islander		Hispanic		White Non Hispanic		Race/Ethnicity Unknown		Grand Total All Students	
		M	F	M	F	M	F	M	F	M	F	M	F	M	F	M	F
UMO Cont																	
13.1001																	
Special Education General	07	0	0	0	0	0	0	0	0	0	0	4	22	0	0	4	22
13.1101																	
Counselor Ed Couns/Guid Svcs	07	0	2	0	0	0	0	0	0	0	0	2	14	0	0	2	16
13.1202																	
Elementary Teacher Education	07	0	0	0	0	0	0	0	0	0	0	2	10	0	0	2	10
13.1205																	
Secondary Teacher Education	07	0	0	0	0	0	0	0	0	0	0	12	8	0	0	12	8
13.1314																	
Phys Ed Tchng & Coaching	07	0	0	0	0	0	0	0	0	0	0	3	3	0	0	3	3
13.1315																	
Reading Teacher Education	05	0	0	0	0	0	0	0	0	0	0	0	16	0	0	0	16
13.1316																	
Science Teacher Ed General	07	0	0	0	0	0	0	0	0	0	0	3	0	0	0	3	0
13.1318																	
Social Studies Teacher Ed	07	0	0	0	0	0	0	0	0	0	0	1	1	0	0	1	1
13.1399																	
Tchr Ed Acad/Voc Pgms Oth	07	0	0	0	0	0	0	0	0	0	0	1	28	0	0	1	28
14.0301																	
Agricultural Engineering	07	0	0	0	0	0	0	0	0	0	0	2	0	0	0	2	0
14.0701																	
Chemical Engineering	07	0	0	0	0	0	0	0	0	0	0	1	3	0	0	1	3
14.0801																	
Civil Engineering General	07	0	0	0	0	0	0	0	0	0	0	12	1	0	0	12	1
14.0899																	
Civil Engineering Other	07	0	0	0	0	0	0	0	0	0	0	2	0	0	0	2	0
14.1001																	
Elect Electron & Comm Eng	07	2	2	0	0	0	0	0	0	0	0	4	0	0	0	6	2
14.1901																	
Mechanical Engineering	07	1	0	0	0	0	0	0	0	0	0	2	0	0	0	3	0

INSTITUTIONS:

Award Level	Non Resident Alien		Black Non Hispanic		American Indian or Alaskan Native		Asian or Pacific Islander		Hispanic		White Non Hispanic		Race/Ethnicity Unknown		Grand Total All Students	
	M	F	M	F	M	F	M	F	M	F	M	F	M	F	M	F

UMO Cont	M	F	M	F	M	F	M	F	M	F	M	F	M	F	M	F
16.0501																
German Language/Literature 16.0901	07	0	0	0	0	0	0	0	0	0	0	0	0	0	0	0
French Language/Literature 16.1905	07	0	0	0	0	0	0	0	0	0	0	1	0	0	0	1
Spanish Language/Literature 19.0701	07	0	0	0	0	0	0	0	0	0	0	0	0	0	0	0
Indiv/Fam Develop Studs Gen 23.0101	07	0	0	0	0	0	0	0	0	0	0	6	0	0	0	6
English Language/Lit Gen 23.1001	07	1	1	0	0	0	1	0	0	0	0	7	6	0	0	8
Speech & Rhetorical Studies 24.0101	07	1	1	0	0	0	1	0	0	0	0	3	6	0	0	4
Lib Arts Sci/Lib Studies 26.0202	05	0	0	0	0	0	0	0	0	0	0	1	1	0	0	1
Biochemistry 26.0301	07	0	1	0	0	0	0	0	0	0	0	1	0	0	0	2
Botany General 26.0501	07	0	0	0	0	0	0	0	0	0	0	1	2	0	0	1
Microbiology/Bacteriology 26.0701	07	0	0	0	0	0	0	0	0	0	0	2	1	0	0	2
Zoology General 26.0702	07	0	0	0	0	0	0	0	0	0	0	4	1	0	0	4
Entomology 27.0101	07	0	0	0	0	0	0	0	0	0	0	1	0	0	0	1
Mathematics 40.0501	07	1	0	0	0	0	0	0	0	0	0	3	0	0	0	4
Chemistry General 40.0601	07	1	0	0	0	0	0	0	0	0	0	1	0	0	0	2
Geology	07	0	0	0	0	0	0	0	0	0	0	0	3	0	0	3

INSTITUTIONS:

	Award Level	Non Resident Alien		Black Non Hispanic		American Indian or Alaskan Native		Asian or Pacific Islander		Hispanic		White Non Hispanic		Race/Ethnicity Unknown		Grand Total All Students	
		M	F	M	F	M	F	M	F	M	F	M	F	M	F	M	F
UMO Cont																	
40.0702																	
Oceanography	07	0	1	0	0	0	0	0	0	0	0	2	1	0	0	2	2
40.0801																	
Physics General	07	0	1	0	0	0	0	0	0	0	0	0	0	0	0	0	1
42.0101																	
Psychology, General	07	0	0	0	0	0	0	0	0	0	0	0	1	0	0	0	1
44.0401																	
Public Administration	07	0	0	0	0	0	0	0	0	0	0	8	2	0	0	8	2
44.0701																	
Social Work	07	0	0	0	0	0	0	0	1	1	0	4	21	0	0	5	22
45.0201																	
Anthropology	07	0	0	0	0	0	0	0	0	0	0	0	1	0	0	0	1
45.0601																	
Economics General	07	0	1	0	0	0	0	0	0	0	0	2	0	0	0	2	1
45.0801																	
History General	07	0	0	0	0	0	0	1	0	0	0	5	5	0	0	6	5
50.0501																	
Drama/Theater Arts Gen	07	0	0	0	0	0	0	0	0	0	0	0	1	0	0	0	1
50.0901																	
Music General	07	0	0	0	0	0	0	0	0	0	0	3	4	0	0	3	4
51.0201																	
Communication Disorders Gen	07	0	0	0	0	0	1	0	0	0	0	0	19	0	0	0	20
51.1601																	
Nursing (RN Training)	07	0	0	0	0	0	0	0	0	0	0	0	12	0	0	0	12
52.0201																	
Business Admin & Mgmt Gen	07	3	1	0	0	0	0	1	0	0	0	17	8	0	0	21	9
UMO Degree Totals	07	18	12	0	0	1	3	3	1	1	0	139	235	0	0	162	251
University of Southern Maine																	
05.0199																	
Area Studies Other	07	0	0	0	0	0	0	0	0	0	0	2	5	0	0	2	5
11.0701																	
Computer Science	07	0	0	0	0	0	0	0	0	0	0	2	0	0	0	2	0
13.0301																	
Curriculum & Instruction	07	0	0	0	0	0	0	0	0	0	0	0	2	0	0	0	2
13.0405																	
Elem Mid Sec Educ Admin	07	0	0	0	0	0	0	0	0	0	0	10	19	0	0	10	19
13.1001																	
Special Education General	07	0	0	0	0	0	0	0	0	0	0	2	29	0	0	2	29

INSTITUTIONS:

	Award Level	Non Resident Alien		Black Non Hispanic		American Indian or Alaskan Native		Asian or Pacific Islander		Hispanic		White Non Hispanic		Race/Ethnicity Unknown		Grand Total All Students	
		M	F	M	F	M	F	M	F	M	F	M	F	M	F	M	F
USM Cont																	
13.1101																	
Counselor Ed Couns/Guid Svcs	07	0	0	0	0	0	0	0	0	0	0	6	23	0	0	6	23
13.1201																	
Adult Continuing Teacher Ed	07	0	0	0	0	0	0	0	0	0	0	10	15	0	0	10	15
13.1206																	
Teacher Ed Multiple Levels	07	0	0	0	0	0	0	0	0	0	0	13	30	0	0	13	30
13.1315																	
Reading Teacher Education	07	0	0	0	0	0	0	0	0	0	0	3	28	0	0	3	28
27.0501																	
Mathematical Statistics	07	0	0	0	0	0	0	0	0	0	0	1	0	0	0	1	0
42.1701																	
School Psychology	07	0	0	0	0	0	0	0	0	0	0	0	7	0	0	0	7
44.0501																	
Public Policy Analysis	07	0	0	0	0	0	0	0	0	0	0	6	8	0	0	6	8
44.9999																	
Public Admin & Services, Oth	07	0	0	0	0	0	0	0	0	0	0	1	0	0	0	1	0
51.0701																	
Health Sys/Health Svcs Admin	07	0	0	0	0	0	0	0	0	0	0	2	1	0	0	2	1
51.1307																	
Medical Immunology	07	0	0	0	0	0	0	0	0	0	0	2	1	0	0	2	1
51.1601																	
Nursing (RN Training)	07	0	0	0	0	0	0	0	1	0	0	3	35	0	0	3	36
51.2306																	
Occupational Therapy	07	0	0	0	0	0	0	0	0	0	0	5	18	0	0	5	18
52.0201																	
Business Admin & Mgmt Gen	07	0	0	0	0	0	0	0	0	0	0	14	8	0	0	14	8
13.132																	
Trade & Industrial Tchr Ed	07	0	0	0	0	0	0	0	0	0	0	2	0	0	0	2	0
14.3001																	
Engineering/Indust Mgmt	07	0	0	0	0	0	0	0	0	0	0	6	1	0	0	6	1
USM Degree Totals	07	0	0	0	0	0	0	0	1	0	0	90	230	0	0	90	231

PUBLIC TOTALS

07	22	12	0	0	1	3	3	2	1	0	230	465	0	0	257	482
-----------	-----------	-----------	----------	----------	----------	----------	----------	----------	----------	----------	------------	------------	----------	----------	------------	------------

**MAINE PRIVATE COLLEGES AND UNIVERSITIES
POSTSECONDARY COMPLETIONS
AWARDS/DEGREES CONFERRED BETWEEN JULY 1, 1998 AND JUNE 30, 1999**

INSTITUTIONS:

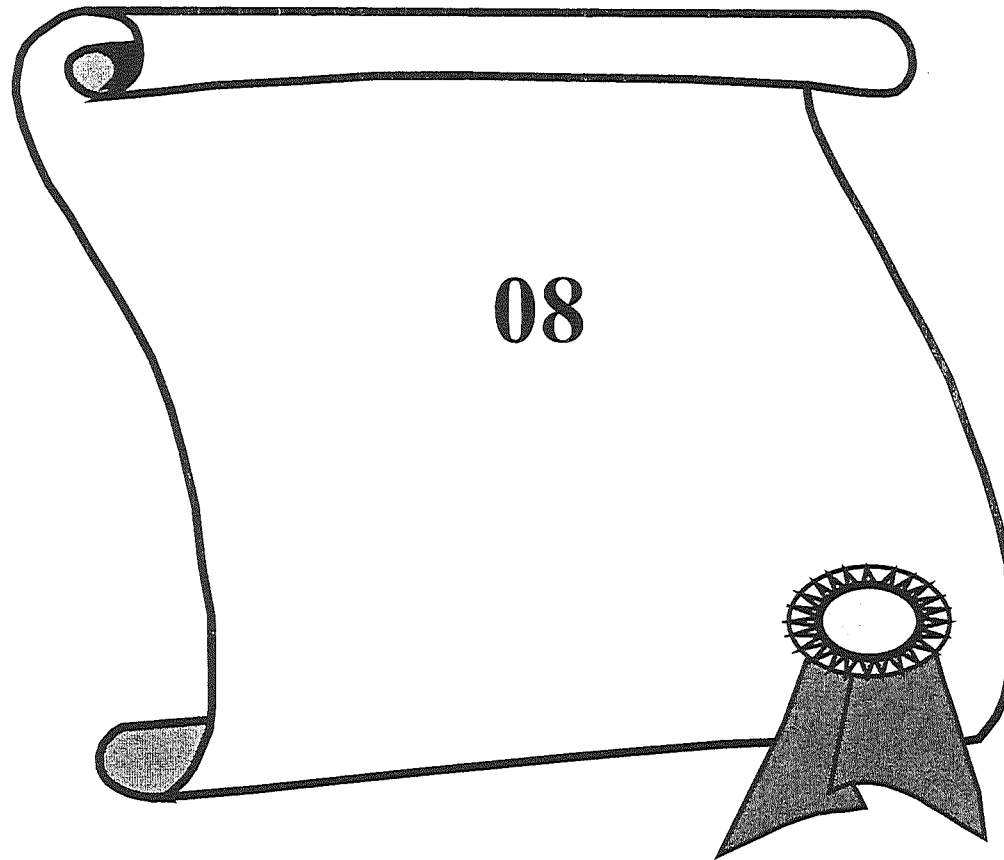
Award Level	Non Resident Alien	Black Non Hispanic	American Indian or Alaskan Native	Asian or Pacific Islander	Hispanic	White Non Hispanic	Race/Ethnicity Unknown	Grand Total All Students
-------------	--------------------	--------------------	-----------------------------------	---------------------------	----------	--------------------	------------------------	--------------------------

Institution	M	F	M	F	M	F	M	F	M	F	M	F	M	F	M	F
Bangor Theological Seminary																
39.0601																
Theology/Theological Studies	07	0	0	0	0	1	0	0	0	0	3	4	0	0	3	5
BTS Degree Totals	07	0	0	0	0	1	0	0	0	0	3	4	0	0	3	5
College of the Atlantic																
30.9999																
Multi/Interdisc Studs Oth	07	0	0	0	0	0	0	0	0	0	0	0	0	0	0	0
COA Degree Totals	07	0	0	0	0	0	0	0	0	0	0	0	0	0	0	0
Husson College																
51.1601																
Nursing (RN Training)	07	0	0	0	0	0	0	0	0	0	0	1	0	0	0	1
51.1605																
Nursing Family Pract (Post-RN)	07	0	0	0	0	0	0	0	0	0	2	4	0	0	2	4
51.161																
Nursing Psych/Mental Health	07	0	0	0	0	0	0	0	0	0	1	4	0	0	1	4
52.0201																
Business Admin & Mgmt, Gen	07	3	2	0	0	0	0	0	0	0	24	20	0	0	27	22
52.0301																
Accounting	07	0	0	0	0	0	0	0	0	0	2	0	0	0	2	0
Husson College Degree Total	07	3	2	0	0	0	0	0	0	0	29	29	0	0	32	31
St Joseph's College																
51.0701																
Health Sys/Health Svcs Admin	07	0	0	0	0	0	0	0	0	0	1	11	8	28	9	39
SJC Degree Totals	07	0	0	0	0	0	0	0	0	0	1	11	8	28	9	39
Thomas College																
52.0201																
Business Admin & Mgmt Gen	07	0	0	0	0	0	0	0	0	0	0	0	17	16	17	16
13.1321																
Computer Teacher Educ	07	0	0	0	0	0	0	0	0	0	0	0	8	25	8	25
52.0202																
Taxation	07	0	0	0	0	0	0	0	0	0	0	0	1	4	1	4
Thomas Degree Totals	07	0	0	0	0	0	0	0	0	0	0	0	26	45	25	41

INSTITUTIONS:

	Award Level	Non Resident Alien	Black Non Hispanic		American Indian or Alaskan Native		Asian or Pacific Islander		Hispanic		White Non Hispanic		Race/Ethnicity Unknown		Grand Total All Students		
			M	F	M	F	M	F	M	F	M	F	M	F	M	F	
University of New England																	
13.9999																	
Education, Other	07	0	0	1	1	0	0	0	1	0	1	15	54	2	7	18	64
44.0701																	
Social Work	07	0	0	0	0	1	0	0	1	0	0	16	68	1	4	18	73
51.0807																	
Physician Assistant	07	0	0	0	0	0	0	0	1	0	0	11	15	1	1	12	17
51.1604																	
Nursing Anesthetist	07	0	0	1	2	0	0	0	3	0	0	7	14	0	1	8	20
UNE Degree Totals	07	0	0	2	3	1	0	0	6	0	1	49	151	4	13	56	174
PUBLIC TOTALS	07	22	12	0	0	1	3	3	2	1	0	230	465	0	0	257	482
PRIVATE TOTALS	07	3	2	2	3	1	1	0	6	0	1	82	195	38	86	126	294
TOTAL ALL STUDENTS	07	25	14	2	3	2	4	3	8	1	1	312	660	38	86	383	776

AWARD LEVEL



08: Post-Master's Certificate

**MAINE PUBLIC COLLEGES AND UNIVERSITIES
POSTSECONDARY COMPLETIONS
AWARDS/DEGREES CONFERRED BETWEEN JULY 1, 1998 AND JUNE 30, 1999**

INSTITUTIONS:

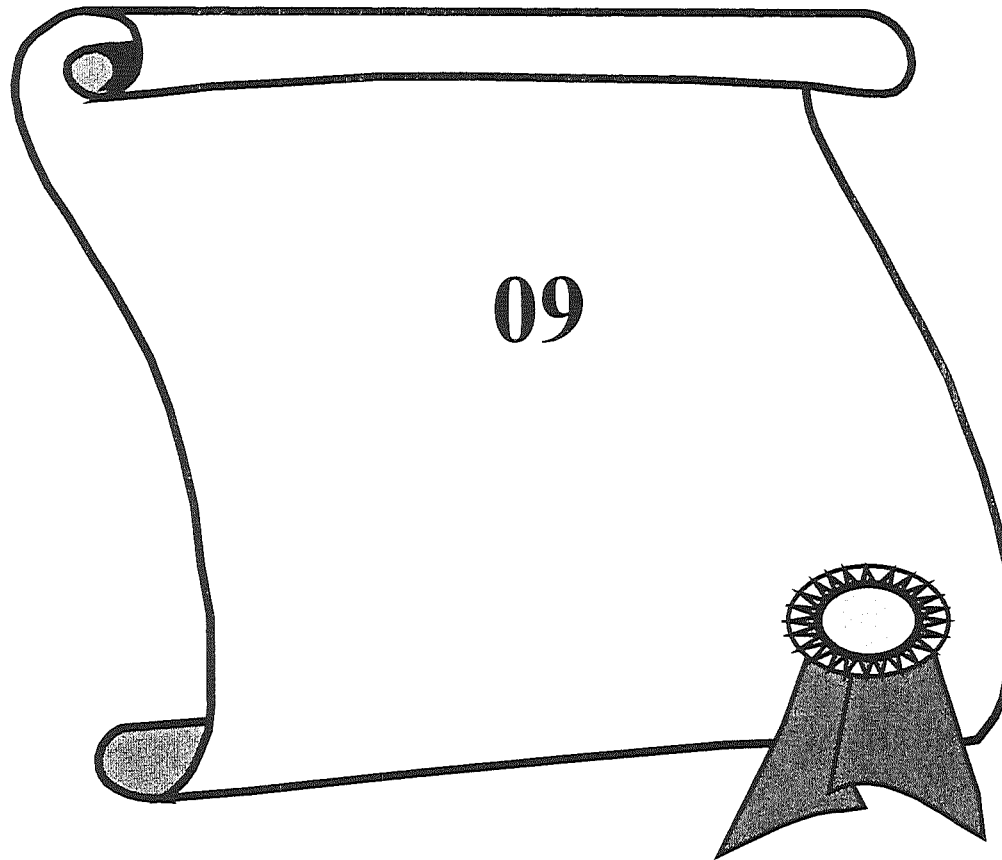
	Award Level	Non Resident Alien	Black Non Hispanic		American Indian or Alaskan Native		Asian or Pacific Islander		Hispanic		White Non Hispanic		Race/Ethnicity Unknown		Grand Total All Students	
			M	F	M	F	M	F	M	F	M	F	M	F	M	F
University of Maine Orono																
13.0101																
Education General	08	0	0	0	0	0	0	0	0	0	0	0	0	0	0	0
13.0401																
Educ Admin & Supervis Gen	08	0	0	0	0	0	0	0	0	0	5	6	0	0	5	6
13.1399																
Tchr Ed Acad/Voc Pgms Oth	08	0	0	0	0	0	0	0	0	0	0	2	0	0	0	2
51.1601																
Nursing (RN Training)	08	0	0	0	0	0	0	0	0	0	0	1	0	0	0	1
13.1101																
Counselor Ed/Guid Svcs	08	0	0	0	0	0	0	0	0	0	1	2	0	0	1	2
13.1315																
Reading Teacher Education	08	0	0	0	0	0	0	0	0	0	1	8	0	0	1	8
13.1318																
Social Studies Teacher Ed	08	0	0	0	0	0	0	0	0	0	0	0	0	0	0	0
UMO Degree Totals	08	0	0	0	0	0	0	0	0	0	7	19	0	0	7	19

**MAINE PRIVATE COLLEGES AND UNIVERSITIES
POSTSECONDARY COMPLETIONS
AWARDS/DEGREES CONFERRED BETWEEN JULY 1, 1998 AND JUNE 30, 1999**

INSTITUTIONS:

	Award Level	Non Resident Alien	Black Non Hispanic		American Indian or Alaskan Native		Asian or Pacific Islander		Hispanic		White Non Hispanic		Race/Ethnicity Unknown		Grand Total All Students		
			M	F	M	F	M	F	M	F	M	F	M	F	M	F	
Husson College																	
51.1601																	
Nursing (RN Training)	08	0	0	0	0	0	0	0	0	0	0	1	0	0	0	1	
Husson College Degree Total	08	0	0	0	0	0	0	0	0	0	0	1	0	0	0	1	
<hr/>																	
PUBLIC TOTALS	08	0	0	0	0	0	0	0	0	0	0	7	19	0	0	7	19
<hr/>																	
PRIVATE TOTALS	08	0	0	0	0	0	0	0	0	0	0	1	0	0	0	1	
<hr/>																	
TOTAL ALL STUDENTS	08	0	0	0	0	0	0	0	0	0	0	7	20	0	0	7	20

AWARD LEVEL



09: Doctor's Degree

**MAINE PUBLIC COLLEGES AND UNIVERSITIES
POSTSECONDARY COMPLETIONS
AWARDS/DEGREES CONFERRED BETWEEN JULY 1, 1998 AND JUNE 30, 1999**

INSTITUTIONS:

	Award Level	Non Resident Alien		Black Non Hispanic		American Indian or Alaskan Native		Asian or Pacific Islander		Hispanic		White Non Hispanic		Race/Ethnicity Unknown		Grand Total All Students	
		M	F	M	F	M	F	M	F	M	F	M	F	M	F	M	F
University of Maine																	
2.0201																	
Animal Sciences, General	09	0	0	0	0	0	0	0	0	0	0	1	0	0	0	1	0
02.0301																	
Food Science & Technology	09	0	0	0	0	0	0	0	0	0	0	0	1	0	0	0	1
02.0501																	
Soil Sciences	09	0	2	0	0	0	0	0	0	0	0	1	0	0	0	1	2
03.0601																	
Wildlife & Wildlands Mgmt	09	0	0	0	0	0	0	0	0	0	0	0	0	0	0	0	0
13.0101																	
Education General	09	0	0	0	0	0	0	0	0	0	0	0	0	0	0	0	0
13.0401																	
Educ Admin & Supervis Gen	09	0	0	0	0	0	0	0	0	0	0	1	1	0	0	1	1
13.1101																	
Counselor Ed Couns/Guid Svcs	09	0	0	0	0	0	0	0	0	0	0	0	2	0	0	0	2
13.1315																	
Reading Teacher Education	09	0	0	0	0	0	0	0	0	0	0	0	2	0	0	0	2
13.1399																	
Tchr Ed, Acad/Voc Prms, Oth	09	0	0	0	0	0	0	0	0	0	0	0	1	0	0	0	1
14.0701																	
Chemical Engineering	09	2	1	0	0	0	0	0	0	0	0	1	0	0	0	3	1
14.0801																	
Civil Engineering General	09	0	0	0	0	0	0	0	0	0	0	0	0	0	0	0	0
14.0899																	
Civil Engineering Other	09	1	0	0	0	0	0	0	0	0	0	1	1	0	0	2	1
26.0101																	
Biology, General	09	0	0	0	0	0	0	0	0	0	0	0	2	0	0	0	2
26.0301																	
Botany General	09	0	0	0	0	0	0	0	0	0	0	1	0	0	0	1	0
26.0402																	
Molecular Biology	09	0	0	0	0	0	0	0	0	0	0	0	1	0	0	0	1
26.0701																	
Zoology General	09	0	0	0	0	0	0	0	0	0	0	0	0	0	0	0	0
38.0101																	
Philosophy	09	0	0	0	0	0	0	0	0	0	0	0	1	0	0	0	1
40.0501																	
Chemistry General	09	0	1	0	0	0	0	0	0	0	0	0	0	0	0	0	1
40.0601																	
Geology	09	0	0	0	0	0	0	0	0	0	0	2	0	0	0	2	0
40.0702																	
Oceanography	09	1	0	0	0	0	0	0	0	0	0	1	0	0	0	2	0

INSTITUTIONS:

	Award Level		Non Resident Alien		Black Non Hispanic		American Indian or Alaskan Native		Asian or Pacific Islander		Hispanic		White Non Hispanic		Race/ Ethnicity Unknown		Grand Total All Students	
	M	F	M	F	M	F	M	F	M	F	M	F	M	F	M	F	M	F
UMO Cont																		
40.0801																		
Physics General	09	1	0	0	0	0	0	0	0	0	0	2	0	0	0	3	0	
42.0101																		
Psychology General	09	0	0	0	0	0	0	1	0	0	0	1	1	0	0	2	1	
42.0201																		
Clinical Psychology	09	0	0	0	0	0	0	0	0	0	0	0	0	0	0	0	0	
44.0401																		
Public Admin	09	0	0	0	0	0	0	0	0	0	0	1	0	0	0	1	0	
45.0801																		
History General	09	0	0	1	0	0	0	0	0	0	0	0	1	0	0	1	1	
50.0901																		
Music General	09	0	0	0	0	0	0	0	0	0	0	0	0	0	0	0	0	
UMO Degree Totals	09	5	4	1	0	0	0	1	0	0	0	13	14	0	0	20	18	

**MAINE PUBLIC COLLEGES AND UNIVERSITIES
POSTSECONDARY COMPLETIONS
AWARDS/DEGREES CONFERRED BETWEEN JULY 1, 1998 AND JUNE 30, 1999**

INSTITUTIONS:

	Award Level		Non Resident Alien		Black Non Hispanic		American Indian or Alaskan Native		Asian or Pacific Islander		Hispanic		White Non Hispanic		Race/ Ethnicity Unknown		Grand Total All Students	
	M	F	M	F	M	F	M	F	M	F	M	F	M	F	M	F	M	F
Bangor Theological Seminary																		
39.0601																		
Theology/Theological Studies	09	0	0	0	0	0	0	0	0	0	0	0	0	0	0	0	0	
BTS Degree Totals	09	0	0	0	0	0	0	0	0	0	0	0	0	0	0	0	0	

PUBLIC TOTALS

09	5	4	1	0	0	0	1	0	0	0	13	14	0	0	20	18
-----------	----------	----------	----------	----------	----------	----------	----------	----------	----------	----------	-----------	-----------	----------	----------	-----------	-----------

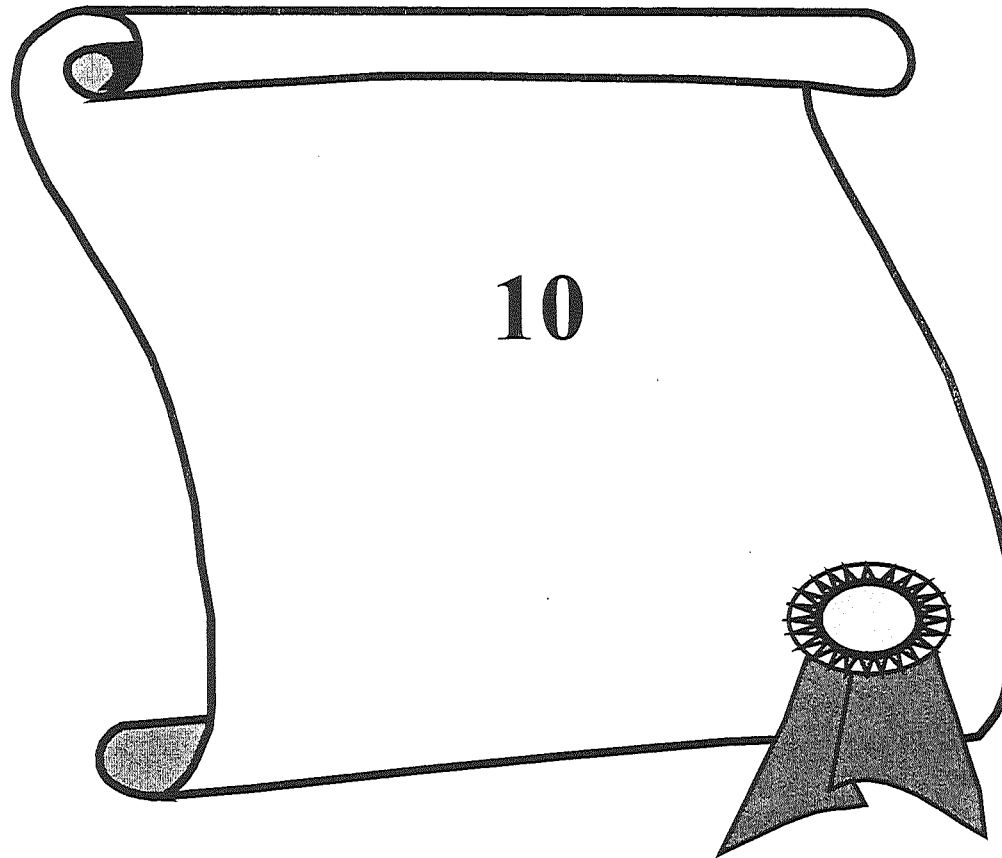
PRIVATE TOTALS

09	0	0	0	0	0	0	0	0	0	0	0	0	0	0	0	0
-----------	----------	----------	----------	----------	----------	----------	----------	----------	----------	----------	----------	----------	----------	----------	----------	----------

TOTAL ALL STUDENTS

09	5	4	1	0	0	0	1	0	0	0	13	14	0	0	20	18
-----------	----------	----------	----------	----------	----------	----------	----------	----------	----------	----------	-----------	-----------	----------	----------	-----------	-----------

AWARD LEVEL



10: First Professional Degree

**MAINE PUBLIC COLLEGES AND UNIVERSITIES
POSTSECONDARY COMPLETIONS
AWARDS/DEGREES CONFERRED BETWEEN JULY 1, 1998 AND JUNE 30, 1999**

INSTITUTIONS:

Award Level	Non Resident Alien	Black Non Hispanic		American Indian or Alaskan Native		Asian or Pacific Islander		Hispanic		White Non Hispanic		Race/Ethnicity Unknown		Grand Total All Students			
		M	F	M	F	M	F	M	F	M	F	M	F	M	F		
University of Southern Maine																	
22.0101																	
Law (Lib, Jd)	10	0	0	1	0	0	0	2	0	1	0	51	41	0	0	55	41
USM Degree Totals	10	0	0	1	0	0	0	2	0	1	0	51	41	0	0	55	41
PUBLIC TOTALS	10	0	0	1	0	0	0	2	0	1	0	51	41	0	0	55	41

**MAINE PRIVATE COLLEGES AND UNIVERSITIES
POSTSECONDARY COMPLETIONS
AWARDS/DEGREES CONFERRED BETWEEN JULY 1, 1998 AND JUNE 30, 1999**

INSTITUTIONS:

Award Level	Non Resident Alien	Black Non Hispanic		American Indian or Alaskan Native		Asian or Pacific Islander		Hispanic		White Non Hispanic		Race/Ethnicity Unknown		Grand Total All Students			
		M	F	M	F	M	F	M	F	M	F	M	F	M	F		
Bangor Theological Seminary																	
39.0602																	
Divinity/Ministry(Bd, Mdiv)	10	0	0	0	0	0	0	0	0	0	0	8	6	0	0	8	6
BTS Degree Totals	10	0	0	0	0	0	0	0	0	0	0	8	6	0	0	8	6
University of New England																	
51.1901																	
Osteopathic Medicine (DO)	10	0	0	0	0	0	0	0	3	1	0	48	31	0	0	49	34
UNE Degree Totals	10	0	0	0	0	0	0	0	3	1	0	48	31	0	0	49	34
PUBLIC TOTALS	10	0	0	0	0	0	0	0	0	0	0	0	2	0	0	0	2
PRIVATE TOTALS	10	0	0	0	0	0	0	0	3	1	0	56	37	0	0	57	40
TOTAL ALL STUDENTS	10	0	0	0	0	0	0	0	3	1	0	56	39	0	0	57	42

**MAINE PUBLIC COLLEGES AND UNIVERSITIES
POSTSECONDARY COMPLETIONS
AWARDS/DEGREES CONFERRED BETWEEN JULY 1, 1998 AND JUNE 30, 1999**

AWARD LEVEL	Award Level	Non Resident Alien		Black Non Hispanic		American Indian or Alaskan Native		Asian or Pacific Islander		Hispanic		White Non Hispanic		Race/Ethnicity Unknown		Grand Total All Students	
		M	F	M	F	M	F	M	F	M	F	M	F	M	F	M	F
Less than 1 Academic Year	01	0	0	0	0	0	0	0	0	0	0	0	0	1	0	1	0
1 but Less than 2 Academic Yrs	02	1	0	1	0	1	3	0	0	1	1	225	71	8	5	237	80
Associate's Degree	03	4	5	2	2	10	19	4	2	3	5	526	821	32	32	581	886
2 but Less than 4 Academic Yrs	04	3	0	0	0	1	0	0	0	0	0	63	3	7	0	74	3
Bachelor's Degree	05	48	91	10	5	11	20	14	20	6	13	1,210	1,666	5	21	1,304	1,836
Post Baccalaureate Certificate	06	2	0	0	0	0	0	0	0	0	0	0	0	0	0	2	0
Master's Degree	07	22	12	0	0	1	3	3	2	1	0	230	465	0	0	257	482
Post-Master's Certificate	08	0	0	0	0	0	0	0	0	0	0	7	19	0	0	7	19
Doctor's Degree	09	5	4	1	0	0	0	1	0	0	0	13	14	0	0	20	18
1st Professional Degree (Post-Degree)	10	0	0	0	0	0	0	0	0	0	0	0	2	0	0	0	2
1st Professional Certificates	11	0	0	0	0	0	0	0	0	0	0	0	0	0	0	0	0
PUBLIC TOTALS	All	85	112	14	7	24	45	22	24	11	19	2,274	3,061	53	58	2,483	3,326

**MAINE PRIVATE COLLEGES AND UNIVERSITIES
POSTSECONDARY COMPLETIONS
AWARDS/DEGREES CONFERRED BETWEEN JULY 1, 1998 AND JUNE 30, 1999**

AWARD LEVEL	Award Level	Non Resident Alien		Black Non Hispanic		American Indian or Alaskan Native		Asian or Pacific Islander		Hispanic		White Non Hispanic		Race/Ethnicity Unknown		Grand Total All Students	
		M	F	M	F	M	F	M	F	M	F	M	F	M	F	M	F
Less than 1 Academic Year	01	0	0	0	0	0	0	0	0	0	0	0	0	0	0	0	0
1 but Less than 2 Academic Yrs	02	0	0	0	0	0	0	0	0	0	0	1	11	0	0	1	11
Associate's Degree	03	2	3	3	3	0	1	0	5	2	3	89	375	18	60	114	450
2 but Less than 4 Academic Yrs	04	0	0	0	0	0	0	0	0	0	0	0	0	0	0	0	0
Bachelor's Degree	05	24	18	12	16	6	5	43	41	9	15	823	1,148	86	193	1,003	1,436
Post Baccalaureate Certificate	06	0	0	0	0	0	0	0	0	0	0	0	0	0	0	0	0
Master's Degree	07	3	2	2	3	1	1	0	6	0	1	81	195	38	86	125	294
Post-Master's Certificate	08	0	0	0	0	0	0	0	0	0	0	0	1	0	0	0	1
Doctor's Degree	09	0	0	0	0	0	0	0	0	0	0	0	0	0	0	0	0
1st Professional Degree (Post-Degree)	10	0	0	0	0	0	0	0	3	1	0	56	37	0	0	57	40
1st Professional Certificates	11	0	0	0	0	0	0	0	0	0	0	0	0	0	0	0	0
PRIVATE TOTALS	All	29	23	17	22	7	7	43	55	12	19	1,050	1,767	142	339	1,300	2,232

**SUMMARY OF TOTALS BY AWARD LEVELS
MAINE PUBLIC AND PRIVATE COLLEGES AND UNIVERSITIES
POSTSECONDARY COMPLETIONS
AWARDS/DEGREES CONFERRED BETWEEN JULY 1, 1998 AND JUNE 30, 1999**

AWARD LEVEL	Award Level	Non Resident Alien		Black Non Hispanic		American Indian or Alaskan Native		Asian or Pacific Islander		Hispanic		White Non Hispanic		Race/Ethnicity Unknown		Grand Total All Students	
		M	F	M	F	M	F	M	F	M	F	M	F	M	F	M	F
Less than 1 Academic Year	01	0	0	0	0	0	0	0	0	0	0	0	0	1	0	1	0
1 but Less than 2 Academic Yrs	02	1	0	2	0	1	3	0	0	1	1	231	82	9	5	245	91
Associate's Degree	03	6	8	5	5	10	20	4	7	5	8	615	1196	50	92	695	1336
2 but Less than 4 Academic Yrs	04	3	0	0	0	1	0	0	0	0	0	63	3	7	0	74	3
Bachelor's Degree	05	72	109	22	21	17	25	57	61	15	28	2,033	2,814	91	214	2,307	3,272
Post Baccalaureate Certificate	06	2	0	0	0	0	0	0	0	0	0	0	0	0	0	2	0
Master's Degree	07	25	14	2	3	2	4	3	8	1	1	311	660	38	86	382	776
Post-Master's Certificate	08	0	0	0	0	0	0	0	0	0	0	7	20	0	0	7	20
Doctor's Degree	09	5	4	1	0	0	0	1	0	0	0	13	14	0	0	20	18
1st Professional Degree (Post-Degree)	10	0	0	0	0	0	0	0	3	1	0	56	39	0	0	57	42
1st Professional Certificates	11	0	0	0	0	0	0	0	0	0	0	0	0	0	0	0	0
PUBLIC AND PRIVATE TOTAL	All	114	135	32	29	31	52	65	79	23	38	3,329	4,828	196	397	3,790	5,558

Number of Degrees Awarded by Institutions, 1999

Institution

	Associate's			Bachelor's			Graduate		
	Male	Female	Total	Male	Female	Total	Male	Female	Total
Andover College	50	174	224	0	0	0	0	0	0
Bangor Theological (Bangor)	0	0	0	0	4	4	10	7	17
Bangor Theological (Portland)	0	0	0	0	0	0	1	4	5
Bates College	0	0	0	189	228	417	0	0	0
Beal College	23	74	97	0	0	0	0	0	0
Bowdoin College	0	0	0	211	212	423	0	0	0
CMTC	70	69	139	0	0	0	0	0	0
EMTC	43	55	98	0	0	0	0	0	0
KVTC	33	141	174	0	0	0	0	0	0
NMTC	70	73	143	0	0	0	0	0	0
SMTC	190	156	346	0	0	0	0	0	0
WCTC	29	22	51	0	0	0	0	0	0
YCTC	8	25	33	0	0	0	0	0	0
Colby College	0	0	0	252	274	526	0	0	0
College of the Atlantic	0	0	0	18	34	52	0	0	0
Husson College	15	60	75	76	141	217	32	31	63
Maine College of Art	0	0	0	19	26	45	0	0	0
Maine Maritime Academy	7	1	8	99	17	116	5	0	5
Mid State College (Auburn)	4	34	38	0	0	0	0	0	0
Mid State College (Augusta)	4	20	24	0	0	0	0	0	0
New England Baptist Bible	0	0	0	4	2	6	0	0	0
St. Joseph's College	1	11	12	72	276	348	9	39	48
Thomas College	6	27	33	34	46	80	26	45	71
UMA	73	272	345	22	55	77	0	0	0
UMF	0	0	0	107	260	367	0	0	0
UMFK	12	22	34	43	78	121	0	0	0
UMM	6	19	25	34	49	83	0	0	0
UMPI	16	19	35	73	115	188	0	0	0
UNE	5	44	49	57	156	213	104	208	312
USM	17	43	60	341	620	961	148	289	437
Unity College	6	6	12	80	27	107	0	0	0
University of Maine	1	1	2	595	631	1,226	189	288	477

TOTALS

689	1,368	2,057
------------	--------------	--------------

2,326	3,251	5,577
--------------	--------------	--------------

524	911	1,435
------------	------------	--------------

Number of Degrees Awarded by Institution, 1998

<i>Institution</i>	Associate's			Bachelor's			Graduate		
	Male	Female	Total	Male	Female	Total	Male	Female	Total
Andover College	51	217	268	0	0	0	0	0	0
Bangor Theological (Bangor)	0	0	0	3	2	5	7	13	20
Bangor Theological (Portland)	0	0	0	0	0	0	1	1	2
Bates College	0	0	0	194	191	385	0	0	0
Beal College	11	88	99	0	0	0	0	0	0
Bowdoin College	0	0	0	196	190	386	0	0	0
CMTC	89	76	165	0	0	0	0	0	0
EMTC	46	56	102	0	0	0	0	0	0
KVTC	38	121	159	0	0	0	0	0	0
NMTC	56	101	157	0	0	0	0	0	0
SMTC	224	195	419	0	0	0	0	0	0
WCTC	6	27	33	0	0	0	0	0	0
YCTC	8	21	29	0	0	0	0	0	0
Casco Bay College	3	33	36	0	0	0	0	0	0
Colby College	0	0	0	185	259	444	0	0	0
College of the Atlantic	0	0	0	15	30	45	1	0	1
Husson College	15	67	82	75	153	228	39	40	79
Maine College of Art	0	0	0	18	32	50	0	0	0
Maine Maritime Academy	8	0	8	118	7	125	8	0	8
Mid State College (Auburn)	3	20	23	0	0	0	0	0	0
Mid State College (Augusta)	6	20	26	0	0	0	0	0	0
New England Baptist Bible	0	0	0	1	1	2	0	0	0
St. Joseph's College	1	8	9	64	271	335	9	35	44
Thomas College	7	30	37	37	47	84	20	18	38
UMA	85	253	338	25	55	80	0	0	0
UMF	0	0	0	103	258	361	0	0	0
UMFK	13	15	28	51	84	135	0	0	0
UMM	6	20	26	33	61	94	0	0	0
UMPI	18	23	41	84	127	211	0	0	0
UNE	7	55	62	54	128	182	87	181	268
USM	21	50	71	341	501	842	141	232	373
Unity College	6	1	7	63	27	90	0	0	0
University of Maine	15	23	38	679	686	1,365	211	332	543
TOTALS	743	1,520	2,263	2,339	3,110	5,449	524	852	1,376

Number of Degrees Awarded by Institution, 1997

Institution

	Associate's			Bachelor's			Graduate		
	Male	Female	Total	Male	Female	Total	Male	Female	Total
Andover College	54	201	255	0	0	0	0	0	0
Bangor Theological (Bangor)	0	0	0	0	3	3	19	14	33
Bangor Theological (Portland)	0	0	0	0	0	0	5	2	7
Bates College	0	0	0	219	253	472	0	0	0
Beal College	15	73	88	0	0	0	0	0	0
Bowdoin College	0	0	0	179	207	386	0	0	0
CMTC	86	56	142	0	0	0	0	0	0
EMTC	60	55	115	0	0	0	0	0	0
KVTC	46	125	171	0	0	0	0	0	0
NMTC	55	82	137	0	0	0	0	0	0
SMTC	229	165	394	0	0	0	0	0	0
WCTC	14	25	39	0	0	0	0	0	0
YCTC	0	0	0	0	0	0	0	0	0
Casco Bay College	4	30	34	0	0	0	0	0	0
Colby College	0	0	0	211	246	457	0	0	0
College of the Atlantic	0	0	0	15	27	42	1	1	2
Husson College	12	59	71	100	159	259	31	49	80
Maine College of Art	0	0	0	24	23	47	0	0	0
Maine Maritime Academy	46	6	52	118	13	131	7	0	7
Mid State College (Auburn)	9	77	86	0	0	0	0	0	0
Mid State College (Augusta)	14	56	70	0	0	0	0	0	0
New England Baptist Bible	0	0	0	0	0	0	0	0	0
St. Joseph's College	0	5	5	61	274	335	7	35	42
Thomas College	5	37	42	32	49	81	27	29	56
UMA	67	241	308	23	40	63	0	0	0
UMF	0	0	0	128	309	437	0	0	0
UMFK	15	12	27	44	79	123	0	0	0
UMM	2	11	13	23	65	88	0	0	0
UMPI	13	17	30	86	133	219	0	0	0
UNE	5	26	31	55	109	164	88	115	203
USM	22	53	75	323	503	826	144	208	352
Unity College	8	4	12	55	21	76	0	0	0
University of Maine	38	77	115	658	670	1,328	217	314	531
Westbrook College (UNE)	0	25	25	5	23	28	0	0	0
TOTALS	819	1,518	2,337	2,359	3,206	5,565	546	767	1,313

Summary Degrees Awarded by Institution, 1997-1999

Institution

	Associate's				Bachelor's				Graduate		
	1999	1998	1997		1999	1998	1997		1999	1998	1997
Andover College	224	268	255		0	0	0		0	0	0
Bangor Theological (Bangor)	0	0	0		4	5	3		17	20	33
Bangor Theological (Portland)	0	0	0		0	0	0		5	2	7
Bates College	0	0	0		417	385	472		0	0	0
Beal College	97	99	88		0	0	0		0	0	0
Bowdoin College	0	0	0		423	386	385		0	0	0
CMTC	139	165	142		0	0	0		0	0	0
EMTC	98	102	115		0	0	0		0	0	0
KVTC	174	159	171		0	0	0		0	0	0
NMTC	143	157	137		0	0	0		0	0	0
SMTC	346	419	394		0	0	0		0	0	0
WCTC	51	33	39		0	0	0		0	0	0
YCTC	33	29	0		0	0	0		0	0	0
Casco Bay College	N/A	36	34		N/A	0	0		0	0	0
Colby College	0	0	0		526	444	457		0	0	0
College of the Atlantic	0	0	0		52	45	42		0	1	2
Husson College	75	82	71		217	228	259		63	79	80
Maine College of Art	0	0	0		45	50	47		0	0	0
Maine Maritime Academy	8	8	52		116	125	131		5	8	7
Mid State College (Auburn)	38	23	86		0	0	0		0	0	0
Mid State College (Augusta)	24	26	70		0	0	0		0	0	0
New England Baptist Bible	0	0	0		6	2	0		0	0	0
St. Joseph's College	12	9	5		348	335	335		48	44	42
Thomas College	33	37	42		80	84	81		71	38	56
UMA	345	338	308		77	80	63		0	0	0
UMF	0	0	0		367	361	437		0	0	0
UMFK	34	28	27		121	135	123		0	0	0
UMM	25	26	13		83	94	88		0	0	0
UMPI	35	41	30		188	211	219		0	0	0
UNE	49	62	31		213	182	164		312	268	203
USM	60	71	75		961	842	826		437	373	352
Unity College	12	7	12		107	90	76		0	0	0
University of Maine	2	38	115		1,226	1,365	1,328		477	543	531
Westbrook College (UNE)	N/A	N/A	25		N/A	N/A	28		0	0	0

TOTALS

2,057	2,263	2,337		5,577	5,449	5,564		1,435	1,376	1,313
--------------	--------------	--------------	--	--------------	--------------	--------------	--	--------------	--------------	--------------

**SUMMARY OF AWARDS/DEGREES
BY CIP CODES - 1999 COMPLETIONS**

CIP Codes	AWARDS/DEGREES	INSTITUTION	M	F	TOTAL
01.0101 (03)	Agri Bus & Mgmt Gen	NMTC	1	0	1
01.0103 (05)	Agriculture Economics	UMO	0	3	3
01.0103 (07)	Agriculture Economics	UMO	4	3	7
Totals			4	6	10
01.0303 (05)	Aquacult Op & Prod Mgmt	UMO	0	0	0
01.0303 (05)	Aquacult Op & Prod Mgmt	UNITY	9	0	9
01.0303 (07)	Aquacult Op & Prod Mgmt	UMO	0	1	1
01.0601 (03)	Horticult Svcs Op/Mgmt	SMTC	4	6	10
01.0605 (05)	Landscaping Ops & Mgmt	UMO	4	5	9
01.0605 (07)	Landscaping Ops & Mgmt	UMO	0	1	1
01.0606 (03)	Nursery Opers & Mgmt	UMO	1	0	1
02.0101 (05)	Agricult/Agri Scis Gen	UMO	2	3	5
02.0201 (05)	Animal Sciences General	UMO	3	14	17
02.0201 (09)	Animal Sciences General	UMO	1	0	1
02.0299 (03)	Animal Sciences Other	UMO	0	1	1
Totals			4	15	19
02.0301(05)	Food Science & Techlgy	UMO	5	14	19
02.0301(07)	Food Science & Techlgy	UMO	1	6	7
02.0301(09)	Food Science & Techlgy	UMO	0	1	1
Totals			6	21	27
02.0499 (07)	Plant Sciences, Other	UMO	1	0	1
02.0501 (09)	Soil Sciences	UMO	1	2	3
03.0102 (03)	Environmental Sci/Studs	Unity	2	2	4
03.0102 (05)	Environmental Sci/Studs	UMM	8	8	16
03.0102 (05)	Environmental Sci/Studs	USM	9	8	17
03.0102 (05)	Environmental Sci/Studs	Bates	0	0	0
03.0102 (05)	Environmental Sci/Studs	Bowdoin	11	15	26
03.0102 (05)	Environmental Sci/Studs	Colby	3	8	11
03.0102 (05)	Environmental Sci/Studs	UNE	4	4	8
03.0102 (07)	Environmental Sci/Studs	UMO	0	1	1
Totals			37	46	83
03.0201 (05)	Nat Resourc Mgmt & Policy	Unity	9	3	12
03.0299 (05)	Nat Mgmt/Protect Svcs	UMO	17	8	25
03.0299 (07)	Nat Mgmt/Protect Svcs	UMO	0	0	0
Totals			17	8	25

03.0301 (05)	Fishng & Fishry Sci & Mgmt	Unity	3	1	4
03.0404 (02)	Forest Products Tech/Tech	KVTC	51	6	57
03.0404 (03)	Forest Products Tech/Tech	KVTC	2	0	0
Totals			56	7	61
03.0501 (05)	Forestry General	UMO	26	0	26
03.0501 (07)	Forestry General	UMO	10	1	11
Totals			36	1	37
03.0502 (05)	Forestry Ecosystem Sci	UMO	0	0	0
03.0502 (05)	Forestry Ecosystem Sci	Unity	4	0	4
Totals			4	0	4
03.0509 (05)	Wood Sci & Pulp/Paper T	UMO	0	0	0
03.0509 (06)	Wood Sci & Pulp/Paper T	UMO	2	0	2
03.0599 (05)	Forestry & Rel Sci Oth	UMO	1	1	2
03.0601 (05)	Wildlife & Wildlands Mgmt	UMO	10	10	20
03.0601 (05)	Wildlife & Wildlands Mgmt	Unity	14	7	21
03.0601 (07)	Wildlife & Wildlands Mgmt	UMO	0	1	1
03.0601 (09)	Wildlife & Wildlands Mgmt	UMO	0	0	0
Totals			24	18	42
03.9999 (05)	Conserv & Renew Nat Res	Unity	23	1	24
04.0201 (03)	Architecture	UMA	0	0	0
05.0101 (05)	African Studies	Bates	1	1	2
05.0102 (05)	American Studies/Civiliz	Bates	2	9	11
05.0102 (05)	American Studies/Civiliz	Colby	15	14	29
05.0102 (05)	American Studies/Civiliz	UNE	0	0	0
Totals			17	23	40
05.0103 (05)	Asian Studies	Bowdoin	2	3	5
05.0107 (05)	Latin American Studies	Colby	1	2	3
05.0104 (05)	East Asian Studies	Bates	6	2	8
05.0104 (05)	East Asian Studies	Colby	1	1	2
Totals			7	3	10
05.0110 (05)	Russian, Slavic Area Sts	Colby	1	1	2
05.0199 (05)	Area Studies, Other	Colby	15	17	32
05.0199 (07)	Area Studies, Other	USM	2	5	7
Totals			17	22	39
05.0201 (05)	Afro-Amer (Black) Studs	Bowdoin	0	1	1
05.0207 (05)	Women's Studies	Bates	0	3	3
05.0207 (05)	Women's Studies	Bowdoin	0	7	7
05.0207 (05)	Women's Studies	Colby	1	3	4

05.0207 (05)	Women's Studies	UMO	0	1	1
05.0207 (05)	Women's Studies	USM	1	1	2
Totals			2	15	17
08.0102 (03)	Fashion Merchandising	Thomas	0	1	1
08.0999 (03)	Hospitality, Rec Mktg Op	UMO	0	3	3
08.1199 (03)	Tour/Travel Svcs Mktg Op	Mid State	0	4	4
09.0101 (03)	Communications, General	Husson	0	1	1
09.0101 (05)	Communications, General	UMPI	0	3	3
09.0101 (05)	Communications, General	USM	17	25	42
Totals			17	29	46
09.0401 (05)	Journalism	UMO	10	13	23
09.0403 (05)	Mass Communications	UMO	15	6	21
09.0403 (05)	Mass Communications	St Joseph's College	4	7	11
Totals			19	13	32
11.0101 (03)	Computer & Info Sci Gen	UMA	11	7	18
11.0101 (03)	Computer & Info Sci Gen	Mid State	2	2	4
11.0101 (03)	Computer & Info Sci Gen	Thomas	0	3	3
11.0101 (05)	Computer & Info Sci Gen	Thomas	11	2	13
11.0101 (05)	Computer & Info Sci Gen	Husson	6	3	9
Totals			30	17	47
11.0201 (03)	Computer Programming	NMTC	9	4	13
11.0401 (03)	Information Sci & Systems	Husson	1	2	3
11.0701 (03)	Computer Science	Mid-State	2	4	6
11.0701 (05)	Computer Science	UMO	20	2	22
11.0701 (05)	Computer Science	USM	13	1	14
11.0701 (05)	Computer Science	Bowdoin	4	0	4
11.0701 (05)	Computer Science	Colby	5	0	5
11.0701 (07)	Computer Science	UMO	5	1	6
11.0701 (07)	Computer Science	USM	2	0	2
Totals			51	8	59
11.9999 (05)	Computer & Info Science Other	UMFK	4	0	4
12.0503 (02)	Culinary Arts/Chef Training	CMTC	2	1	3
12.0504 (02)	Food & Beverage/Restaurant Op Mgmt	WCTC	1	4	5
12.0599 (02)	Food-Service Specialist	EMTC	0	2	2
12.0599 (03)	Culinary Arts/Rel Svcs Other	EMTC	0	5	5
13.0101 (05)	Education General	SJC	3	28	31
13.0301 (07)	Curriculum & Instruction	USM	0	2	2
13.0401 (07)	Education Admin & Supervis Gen	UMO	11	11	22

13.0401 (08)	Education Admin & Supervis Gen	UMO	5	6	11
13.0401 (09)	Education Admin & Supervis Gen	UMO	1	1	2
13.0405 (07)	Elem, Mid, Sec, Education/Administration	USM	10	19	29
13.0406 (07)	Higher Education Admin	UMO	2	1	3
13.1001 (07)	Special Education General	UMO	4	22	26
13.1001 (07)	Special Education General	USM	2	29	31
13.1005 (05)	Educ - Emot Handicapped	UMF	0	7	7
13.1006 (05)	Educ - Ment Handicapped	UMF	0	10	10
13.1011 (05)	Educ - Specific Learn Dis	UMF	1	23	24
13.1012 (05)	Educ - Speech Impaired	UMF	0	10	10
13.1099 (05)	Special Education, Other	UMF	0	9	9
13.1101 (07)	CounsEd Couns/Guid Svcs	UMO	2	16	18
13.1101 (07)	CounsEd Couns/Guid Svcs	USM	6	23	29
13.1101 (08)	CounsEd Couns/Guid Svcs	UMO	1	2	3
13.1101 (09)	CounsEd Couns/Guid Svcs	UMO	0	2	2
Totals			9	43	52
13.1201 (07)	Adult, Continuing Tchr Ed	USM	10	15	25
13.1202 (05)	Elementary Teacher Educ	UMO	21	84	105
13.1202 (05)	Elementary Teacher Educ	UMF	4	70	74
13.1202 (05)	Elementary Teacher Educ	UMFK	16	42	58
13.1202 (05)	Elementary Teacher Educ	UMM	2	12	14
13.1202 (05)	Elementary Teacher Educ	UMPI	1	22	23
13.1202 (05)	Elementary Teacher Educ	USM	1	2	3
13.1202 (05)	Elementary Teacher Educ	UNE	4	4	8
13.1202 (07)	Elementary Teacher Educ	UMO	2	10	12
Totals			51	246	297
13.1203 (05)	Jr Hi/Inter/Mid Sch Tchr Ed	UMM	1	1	2
13.1204 (02)	PreElem/EC/Kindergn Tchr	SMTC	0	2	2
13.1204 (03)	PreElem/EC/Kindergn Tchr	SMTC	0	8	8
13.1204 (05)	PreElem/EC/Kindergn Tchr	UNE	0	1	1
13.1204 (05)	PreElem/EC/Kindergn Tchr	UMF	0	13	13
Totals			0	24	24
13.1205 (05)	Secondary Teacher Educ	UMO	15	12	27
13.1205 (05)	Secondary Teacher Educ	UMF	27	19	46
13.1205 (07)	Secondary Teacher Educ	UMO	12	8	20
Totals			54	39	93
13.1206 (07)	Tchr Ed, Multiple Levels	USM	13	30	43
13.1302 (05)	Art Teacher Education	UMO	0	7	7
13.1303 (05)	Business Teacher Ed (Voc)	UMM	0	2	2
13.1303 (05)	Business Teacher Ed (Voc)	Husson	0	1	1

13.1303 (05)	Business Teacher Ed (Voc)	Thomas	0	4	4
Totals			0	7	7
13.1307 (05)	Health Teacher Education	UMO	0	0	0
13.1307 (05)	Health Teacher Education	UMF	1	0	1
Totals			1	0	1
13.1309 (05)	Tech Tchr Ed/Ind Art Tchr	USM	8	3	11
13.1311 (05)	Mathematics Teacher Ed	Thomas	2	0	2
13.1312 (05)	Music Education Teacher	UMO	4	11	15
13.1312 (05)	Music Education Teacher	USM	3	4	7
Totals			7	15	22
13.1314 (05)	Physl Ed Tchng & Coachg	UMPI	4	3	7
13.1314 (05)	Physl Ed Tchng & Coachg	UMO	34	13	47
13.1314 (05)	Physl Ed Tchng & Coachg	SJC	5	4	9
13.1314 (07)	Physl Ed Tchng & Coachg	UMO	3	3	6
Totals			46	23	69
13.1315 (07)	Reading Teacher Education	UMO	0	16	16
13.1315 (07)	Reading Teacher Education	USM	3	28	31
13.1315 (08)	Reading Teacher Education	UMO	1	8	9
13.1315 (08)	Reading Teacher Education	UMO	0	2	2
Totals			3	54	58
13.1316 (07)	Science Teacher Ed, Gen	UMO	3	0	3
13.1317 (07)	Social Studies Teacher Ed, Gen	UMO	1	1	2
Totals			4	1	5
13.1320 (05)	Trade & Ind Tchr Ed (Voc)	USM	8	2	10
13.1320 (07)	Trade & Ind Tchr Ed (Vo	USM	2	0	2
Totals			10	2	12
13.1501 (03)	Teacher Asst/Aide	KVTC	1	15	16
13.1321 (07)	Computer Teacher Educ	Thomas College	8	25	33
13.1399 (07)	Tchr Ed Acad/Voc Pgms	UMO	1	28	29
13.1399 (08)	Tchr Ed Acad/Voc Pgms	UMO	0	2	2
13.1399 (09)	Tchr Ed Acad/Voc Pgms	UMO	0	1	1
Totals			1	31	32
13.9999 (07)	Education, Other	UNE	17	64	81
14.0301 (05)	Agricultural Engineering	UMO	4	0	4
14.0301 (07)	Agricultural Engineering	UMO	2	0	2
Totals			6	0	6
14.0701 (05)	Chemical Engineering	UMO	21	20	41
14.0701 (07)	Chemical Engineering	UMO	1	3	4
14.0701 (09)	Chemical Engineering	UMO	3	1	4

Totals			25	24	49
14.0801 (05)	Civil Engineering Gen	UMO	27	4	31
14.0801 (07)	Civil Engineering Gen	UMO	12	1	13
14.0801 (09)	Civil Engineering Gen	UMO	0	0	0
Totals			39	5	44
14.0899 (05)	Civil Engineering Other	UMO	1	0	1
14.0899 (07)	Civil Engineering Other	UMO	2	0	2
14.0899 (09)	Civil Engineering Other	UMO	2	1	3
Totals			5	1	6
14.1001 (05)	Elect Electron & Comm Eng	UMO	20	3	23
14.1001 (05)	Elect Electron & Comm Eng	USM	7	0	7
14.1001 (07)	Elect Electron & Comm Eng	UMO	6	2	8
Totals			33	5	38
14.2201 (05)	Naval Arch & Marine Eng	MMA	37	0	37
14.1201 (05)	Engineering Physics	UMO	2	0	2
14.2701 (05)	Systems Engineering	MMA	6	0	6
14.1901 (05)	Mechanical Engineering	UMO	30	2	32
14.1901 (07)	Mechanical Engineering	UMO	3	0	3
Totals			33	2	35
14.3001 (07)	Engineering/Indust Mgmt	USM	6	1	7
15.0101 (03)	Architectural Eng T/Tech	CMTC	3	1	4
15.0201 (03)	Civil Eng/Civil Tech/Tech	UMO	0	0	0
15.0201 (05)	Civil Eng/Civil Tech/Tech	UMO	16	2	18
Totals			16	2	18
15.0301 (03)	Elect/Elect Com Eng T/T	SMTC	22	4	26
15.0303 (03)	Elect/Electron/Comm Eng T	SMTC	22	0	22
15.0303 (03)	Elect/Electron/Comm Eng T	EMTC	2	0	2
15.0303 (03)	Elect/Electron/Comm Eng T	KVTC	10	2	12
15.0303 (03)	Elect/Electron/Comm Eng T	NMTC	6	0	6
Totals			40	2	42
15.0399 (02)	Elec & Electronic Eng Rel T	SMTC	0	0	0
15.0399 (03)	Elec & Electronic Eng Rel T	UMO	0	0	0
15.0399 (03)	Elec & Electronic Eng Rel T	EMTC	11	0	11
15.0399 (03)	Elec & Electronic Eng Rel T	SMTC	8	0	8
15.0399 (05)	Elec & Electronic Eng Rel T	UMO	12	0	12
Totals			31	0	31
15.0403 (02)	Electromechanical Tech	CMTC	2	0	2
15.0403 (03)	Electromechanical Tech	CMTC	12	1	13
Totals			14	1	15

15.0404 (03)	Instrumentation Tech/Tech	NMTC	5	0	5
15.0404 (04)	Instrumentation Tech/Tech	NMTC	1	0	1
Totals			6	0	6
15.0405 (02)	Robotics Tech/Tech	CMTC	1	0	1
15.0507 (02)	Environ & Pollutn Ctrl T/T	SMTC	3	1	4
15.0599 (03)	Environ Ctrl Tech/Tech Oth	SMTC	6	0	6
15.0603 (05)	Industrial/Manuf Tech/Tech	USM	31	1	32
15.0701 (02)	Occup Safety & Health T/T	CMTC	7	2	9
15.0701 (03)	Occup Safety & Health T/T	CMTC	3	2	5
Totals			10	4	14
15.0803 (02)	Automotive Eng Tech/Tech	CMTC	8	0	8
15.0803 (03)	Automotive Eng Tech/Tech	CMTC	12	0	12
Totals			20	0	20
15.0805 (03)	Mechanical Eng/Mech T/T	UMO	0	0	0
15.0805 (05)	Mechanical Eng/Mech T/T	UMO	25	1	26
Totals			25	1	26
15.1001 (02)	Construction/Bldg T/T	CMTC	2	0	2
15.1001 (02)	Construction/Bldg T/T	EMTC	1	0	1
15.1001 (03)	Construction/Bldg T/T	CMTC	2	0	2
15.1001 (03)	Construction/Bldg T/T	EMTC	2	0	2
15.1001 (03)	Construction/Bldg T/T	WCTC	3	0	3
15.1001 (04)	Construction/Bldg T/T	EMTC	3	0	3
Totals			13	0	13
15.9999 (05)	Engineering Rel T/T Oth	MMA	14	1	15
16.0101 (05)	Foreign Langs & Lit Gen	UMO	0	15	15
16.0301 (05)	Chinese Language/Literature	Bates	0	1	1
16.0402 (05)	Russian Language/Lit	Bates	1	2	3
16.0402 (05)	Russian Language/Lit	Bowdoin	1	1	2
Totals			2	3	5
16.0501 (05)	German Language/Lit	UMO	0	0	0
16.0501 (05)	German Language/Lit	Bates	0	2	2
16.0501 (05)	German Language/Lit	Bowdoin	5	4	9
16.0501 (05)	German Language/Lit	Colby	1	1	2
16.0501 (07)	German Language/Lit	UMO	0	0	0
Totals			6	7	13
16.0901 (05)	French Language/Lit	UMO	0	1	1
16.0901 (05)	French Language/Lit	UMPI	1	0	1
16.0901 (05)	French Language/Lit	USM	0	4	4
16.0901 (05)	French Language/Lit	Bates	1	7	8

16.0901 (05)	French Language/Lit	Bowdoin	4	10	14
16.0901 (05)	French Language/Lit	Colby	3	5	8
16.0901 (07)	French Language/Lit	UMO	0	1	1
Totals			9	28	37
16.0905 (05)	Spanish Language/Lit	UMO	0	0	0
16.0905 (05)	Spanish Language/Lit	Bates	0	6	6
16.0905 (05)	Spanish Language/Lit	Bowdoin	4	9	13
16.0905 (05)	Spanish Language/Lit	Colby	2	10	12
16.0905 (07)	Spanish Language/Lit	UMO	0	0	0
Totals			6	25	31
16.0999 (05)	Romance Lang/Lit Oth	UMO	1	0	1
16.0999 (05)	Romance Lang/Lit Oth	Bowdoin	0	2	2
Totals			1	2	3
16.1201 (05)	Classics/Classl Lang Oth	Bowdoin	1	1	2
16.1201 (05)	Classics/Classl Lang Oth	Colby	1	0	1
Totals			2	1	3
16.1203 (05)	Latin Language/Lit Oth	UMO	0	0	0
19.0499 (05)	Family/Consumer Res Mgmt Oth	UMO	0	1	1
19.0501 (05)	Foods/Nutrition Studs Gen	UMO	0	0	0
19.0701 (05)	Indiv/Fam Dev Studs Gen	UMO	0	37	37
19.0701 (07)	Indiv/Fam Dev Studs Gen	UMO	0	5	5
Totals			0	42	42
19.0706 (02)	Child Grth//Care/Dev Studs	YCTC	1	0	1
19.0799 (05)	Indiv/Fam Dev Studs, Oth	UNE	0	2	2
19.0901 (03)	Clothg/Appar/Textile Stds	UMO	0	0	0
20.0201 (03)	Child Care/Guide Wkr/Mgr	UMM	0	3	3
20.0401 (03)	Institn Food Wkr/Adm Gen	SMTC	14	13	27
20.0401 (04)	Institn Food Wkr/Adm Gen	SMTC	1	3	4
Totals			15	16	31
20.0404 (03)	Dietician Assistant	SMTC	2	6	8
20.0404 (03)	Dietician Assistant	WCTC	0	5	5
Totals			2	11	13
22.0101 (10)	Law (LLB, JD)	USM	55	41	96
22.0103 (02)	Paralegal/Legal Assistant	Andover	0	5	5
22.0103 (02)	Paralegal/Legal Assistant	Beal	1	0	1
22.0103 (03)	Paralegal/Legal Assistant	Andover	3	24	27
22.0103 (03)	Paralegal/Legal Assistant	Beal	1	9	10
22.0103 (03)	Paralegal/Legal Assistant	Husson College	0	1	1
22.0103 (03)	Paralegal/Legal Assistant	Thomas College	1	5	6

22.0103 (05)	Paralegal/Legal Assistant	Husson	1	5	6
Totals			7	49	56
23.0101 (05)	English Lang/Lit Gen	UMO	18	20	38
23.0101 (05)	English Lang/Lit Gen	UMA	1	5	6
23.0101 (05)	English Lang/Lit Gen	UMF	5	5	10
23.0101 (05)	English Lang/Lit Gen	UMFK	2	0	2
23.0101 (05)	English Lang/Lit Gen	UMM	6	5	11
23.0101 (05)	English Lang/Lit Gen	UMPI	2	0	2
23.0101 (05)	English Lang/Lit Gen	USM	15	40	55
23.0101 (05)	English Lang/Lit Gen	Bates	16	26	42
23.0101 (05)	English Lang/Lit Gen	Bowdoin	14	20	34
23.0101 (05)	English Lang/Lit Gen	SJC	1	2	3
23.0101 (07)	English Lang/Lit Gen	UMO	8	8	16
Totals			88	131	219
23.0501 (05)	English Creative Writing	UMF	3	2	5
23.0801 (05)	English Lit (Brit/Comwlth)	Colby	26	41	67
23.1001 (05)	Speech & Rhetorical Studs	UMO	2	17	19
23.1001 (05)	Speech & Rhetorical Studs	Bates	1	1	2
23.1001 (07)	Speech & Rhetorical Studs	UMO	4	8	12
Totals			7	26	33
24.0101 (03)	Lib Arts, Sci/Lib Studs	UMO	0	0	0
24.0101 (03)	Lib Arts, Sci/Lib Studs	UMA	5	9	14
24.0101 (03)	Lib Arts, Sci/Lib Studs	UMFK	12	22	34
24.0101 (03)	Lib Arts, Sci/Lib Studs	UMPI	6	12	18
24.0101 (03)	Lib Arts, Sci/Lib Studs	USM	9	28	37
24.0101 (03)	Lib Arts, Sci/Lib Studs	Unity College	4	4	8
24.0101 (03)	Lib Arts, Sci/Lib Studs	UMM	1	1	2
24.0101 (05)	Lib Arts, Sci/Lib Studs	UMO	11	18	29
24.0101 (05)	Lib Arts, Sci/Lib Studs	UMFK	1	3	4
24.0101 (05)	Lib Arts, Sci/Lib Studs	UMPI	14	28	42
24.0101 (05)	Lib Arts, Sci/Lib Studs	USM	12	38	50
24.0101 (05)	Lib Arts, Sci/Lib Studs	UNE	0	0	0
24.0101 (07)	Lib Arts, Sci/Lib Studs	UMO	1	1	2
Totals			76	164	240
24.0102 (03)	General Studies	UMA	8	40	48
24.0102 (05)	General Studies	UMF	5	4	9
24.0103 (05)	Humanits/Humanistic Studs	USM	0	2	2
24.0103 (05)	Humanits/Humanistic Studs	Husson	1	2	3
24.0103 (05)	Humanits/Humanistic Studs	Unity	2	4	6
24.0194 (02)	Lib Arts & Gen Studies	WCTC	0	1	1

24.0199 (02)	Lib Arts Sci/Gen St Hum	SMTC	2	0	2
24.0199 (03)	Lib Arts Sci/Gen St Hum	NMTC	2	7	9
24.0199 (03)	Lib Arts Sci/Gen St Hum	CMTC	4	1	5
25.0301 (03)	Library Assistant	UMA	1	10	11
26.0101(05)	Biology, General	UMO	8	16	24
26.0101(05)	Biology, General	UMF	3	8	11
26.0101(05)	Biology, General	UMFK	3	1	4
26.0101(05)	Biology, General	UMM	3	3	6
26.0101(05)	Biology, General	UMPI	2	3	5
26.0101(05)	Biology, General	USM	11	21	32
26.0101(05)	Biology, General	Bates	22	28	50
26.0101(05)	Biology, General	Bowdoin	16	25	41
26.0101(05)	Biology, General	Colby	34	37	71
26.0101(05)	Biology, General	St Joseph's College	5	12	17
26.0101(05)	Biology, General	UNE	1	3	4
26.0101 (09)	Biology, General	UMO	0	2	2
Totals			108	159	267
26.0202 (05)	Biochemistry	UMO	4	5	9
26.0202 (05)	Biochemistry	Bates	8	3	11
26.0202 (05)	Biochemistry	Bowdoin	11	12	23
26.0202 (07)	Biochemistry	UMO	0	2	2
26.0202 (09)	Biochemistry	UMO	0	0	0
Totals			23	22	45
26.0301 (05)	Botany, General	UMO	1	0	1
26.0301 (07)	Botany, General	UMO	1	2	3
26.0301 (09)	Botany, General	UMO	1	0	1
Totals			3	2	5
26.0402 (05)	Molecular Biology	UMO	0	0	0
26.0402 (09)	Molecular Biology	UMO	0	1	1
Totals			0	1	1
26.0501 (05)	Microbiology/Bacteriology	UMO	3	3	6
26.0501 (07)	Microbiology/Bacteriology	UMO	2	1	3
Totals			5	4	9
26.0607 (05)	Marine/Aquatic Biology	UNE	2	9	11
26.0608 (05)	Neuroscience	Bowdoin	4	3	7
26.0701 (05)	Zoology, General	UMO	6	10	16
26.0701 (07)	Zoology, General	UMO	4	1	5
26.0701 (09)	Zoology, General	UMO	0	0	0
Totals			10	11	21

26.0702 (07)	Entomology	UMO	1	0	1
26.9999 (05)	Biologcl Sci/Life Sci Oth	MMA	3	12	15
26.9999 (05)	Biologcl Sci/Life Sci Oth	UNE	0	0	0
Totals			3	12	15
27.0101 (05)	Mathematics	UMO	4	4	8
27.0101 (05)	Mathematics	UMF	3	4	7
27.0101 (05)	Mathematics	UMPI	0	1	1
27.0101 (05)	Mathematics	USM	3	3	6
27.0101 (05)	Mathematics	Bates	2	3	5
27.0101 (05)	Mathematics	Bowdoin	4	4	8
27.0101 (05)	Mathematics	Colby	7	6	13
27.0101 (05)	Mathematics	St Joseph's College	3	1	4
27.0101 (07)	Mathematics	UMO	4	0	4
Totals			30	26	56
27.0501 (07)	Mathematical Statistics	USM	1	0	1
27.9999 (05)	Mathematics Other	UMA	0	1	1
30.0101 (05)	Biological & Physical Sci	UMFK	4	2	6
30.0101 (05)	Biological & Physical Sci	UMPI	1	1	2
30.0101 (05)	Biological & Physical Sci	Unity	16	11	27
Totals			21	14	35
30.1301 (05)	Medieval & Renaissance St	Bates	0	0	0
30.9999 (02)	Multi/InterDisc Studs Oth	EMTC	0	0	0
30.9999 (03)	Multi/InterDisc Studs Oth	CMTC	0	0	0
30.9999 (03)	Multi/InterDisc Studs Oth	EMTC	2	1	3
30.9999 (03)	Multi/InterDisc Studs Oth	WCTC	4	1	5
30.9999 (05)	Multi/InterDisc Studs Oth	UMF	30	17	47
30.9999 (05)	Multi/InterDisc Studs Oth	UMPI	11	18	29
30.9999 (05)	Multi/InterDisc Studs Oth	Colby	1	0	1
30.9999 (05)	Multi/InterDisc Studs Oth	COA	18	34	52
30.9999 (05)	Multi/InterDisc Studs Oth	Bates	13	14	27
30.9999 (05)	Multi/InterDisc Studs Oth	Bowdoin	4	1	5
Totals			83	86	169
31.0101 (03)	Parks/Rec/Leisure Studs	UMPI	1	1	2
31.0101 (05)	Parks/Rec/Leisure Studs	Unity	1	0	1
Totals			2	1	3
31.0301 (03)	Parks/Rec/Leis Facil Mgt	UMM	4	5	9
31.0301 (05)	Parks/Rec/Leis Facil Mgt	UMO	6	2	8
31.0301 (05)	Parks/Rec/Leis Facil Mgt	UMM	5	5	10
31.0301 (05)	Parks/Rec/Leis Facil Mgt	UMPI	10	2	12

Totals			25	14	39
31.0503 (05)	Athletic Training	UNE	0	1	1
31.0504 (05)	Sport/Fitness Admin/Mgmt	Thomas College	7	4	11
31.0504 (05)	Sport/Fitness Admin/Mgmt	UNE	2	2	4
Totals			9	6	15
31.0505 (05)	Exercise Science	UNE	0	1	1
38.0101 (05)	Philosophy	UMO	3	1	4
38.0101 (05)	Philosophy	USM	5	4	9
38.0101 (05)	Philosophy	Bates	3	1	4
38.0101 (05)	Philosophy	Bowdoin	8	1	9
38.0101 (05)	Philosophy	Colby	9	2	11
38.0101 (05)	Philosophy	SJC	2	0	2
38.0101 (09)	Philosophy	UMO	0	1	1
Totals			30	10	40
38.0201 (05)	Religion/Religious Studs	Bates	3	1	4
38.0201 (05)	Religion/Religious Studs	Bowdoin	6	2	8
38.0201 (05)	Religion/Religious Studs	Colby	2	3	5
Totals			11	6	17
39.0201 (05)	Bible/Biblical Studies	NEBBC	4	2	6
39.0601 (05)	Theology/Theologl Studs	BTS	0	4	4
39.0601 (05)	Theology/Theologl Studs	SJC	1	0	1
39.0601 (07)	Theology/Theologl Studs	BTS	3	5	8
Totals			4	9	13
39.0602 (10)	Divinity/Minist (BD, MDIV)	BTS	8	6	14
40.0101 (05)	Physical Sciences, Gen	USM	0	3	3
40.0101 (05)	Physical Sciences, Gen	St Joseph's College	3	0	3
Totals			3	3	6
40.0501 (05)	Chemistry	UMO	1	1	2
40.0501 (05)	Chemistry	USM	4	3	7
40.0501 (05)	Chemistry	Bates	4	2	6
40.0501 (05)	Chemistry	Bowdoin	3	1	4
40.0501 (05)	Chemistry	Colby	7	7	14
40.0501 (07)	Chemistry	UMO	2	0	2
40.0501 (09)	Chemistry	UMO	0	1	1
Totals			21	15	36
40.0599 (05)	Chemistry Other	Bowdoin	0	1	1
40.0601 (05)	Geology	UMO	0	0	0
40.0601 (05)	Geology	USM	4	0	4
40.0601 (05)	Geology	Bates	11	4	15

40.0601 (05)	Geology	Bowdoin	5	1	6
40.0601 (05)	Geology	Colby	3	3	6
40.0601 (07)	Geology	UMO	0	3	3
40.0601 (08)	Geology	UMO	2	0	2
Totals			25	11	36
40.0702 (03)	Oceanography	SMTC	3	3	6
40.0702 (05)	Oceanography	UMO	1	0	1
40.0702 (07)	Oceanography	UMO	2	2	4
40.0702 (09)	Oceanography	UMO	2	0	2
Totals			2	6	8
40.0801 (05)	Physics, General	UMO	0	0	0
40.0801 (05)	Physics, General	USM	3	1	4
40.0801 (05)	Physics, General	Bates	10	5	15
40.0801 (05)	Physics, General	Bowdoin	4	0	4
40.0801 (05)	Physics, General	Colby	9	3	12
40.0801 (07)	Physics, General	UMO	0	1	1
40.0801 (09)	Physics, General	UMO	3	0	3
Totals			29	10	39
41.0101 (03)	Bioscience Technology	KVTC	0	1	1
42.0101 (05)	Psychology, General	UMO	18	36	54
42.0101 (05)	Psychology, General	UMF	10	36	46
42.0101 (05)	Psychology, General	Bates	12	35	47
42.0101 (05)	Psychology, General	Bowdoin	3	9	12
42.0101 (05)	Psychology, General	Colby	9	30	39
42.0101 (05)	Psychology, General	St Joseph's College	5	4	9
42.0101 (05)	Psychology, General	UNE	0	5	5
42.0101 (05)	Psychology, General	USM	16	48	64
42.0101 (07)	Psychology, General	UMO	0	1	1
42.0101 (09)	Psychology, General	UMO	2	1	3
Totals			75	205	280
42.0201 (09)	Clinical Psychology	UMO	0	0	0
42.1701 (07)	School Psychology	USM	0	7	7
42.9999 (05)	Psychology, Other	UNE	2	5	7
43.0104 (03)	Criminal Justice Studies	Andover	5	15	20
43.0104 (03)	Criminal Justice Studies	UMA	9	4	13
43.0104 (03)	Criminal Justice Studies	UMPI	8	2	10
43.0104 (03)	Criminal Justice Studies	Beal	12	2	14
43.0104 (05)	Criminal Justice Studies	UMPI	5	0	5
Totals			39	23	62
43.0107 (03)	Law Enforcmt/Police Sci	UMO	0	0	0

43.0107 (03)	Law Enforcmt/Police Sci	UMA	7	2	9
43.0107 (03)	Law Enforcmt/Police Sci	SMTC	29	11	40
Totals			36	13	49
43.0201 (02)	Fire Protection/Safety T/T	SMTC	0	0	0
43.0201 (03)	Fire Protection/Safety T/T	SMTC	20	2	22
Totals			20	2	22
44.0201 (03)	Commy Organiz Res & Svcs	UMO	0	0	0
44.0401 (05)	Public Administration	UMO	5	4	9
44.0401 (05)	Public Administration	UMA	5	3	8
44.0401 (07)	Public Administration	UMO	8	12	20
44.0401 (09)	Public Administration	UMO	1	0	1
Totals			19	19	38
44.0501 (07)	Public Policy Analysis	USM	6	8	14
44.0701 (05)	Social Work	UMO	4	14	18
44.0701 (05)	Social Work	UMPI	1	18	19
44.0701 (05)	Social Work	USM	6	57	63
44.0701 (07)	Social Work	UNE	18	73	91
44.0701 (07)	Social Work	UMO	5	22	27
Totals			34	184	218
44.9999 (07)	Public Administration & Services Oth	USM	1	0	1
45.0101 (05)	Social Sciences, General	UMA	3	15	18
45.0101 (05)	Social Sciences, General	UMFK	4	13	17
45.0101 (05)	Social Sciences, General	UMPI	0	0	0
Totals			7	28	35
45.0201 (05)	Anthropology	UMO	10	11	21
45.0201 (05)	Anthropology	Bates	3	8	11
45.0201 (05)	Anthropology	Bowdoin	4	14	8
45.0201 (05)	Anthropology	Colby	3	13	16
45.0201 (07)	Anthropology	UMO	0	1	1
Totals			20	37	57
45.0301 (05)	Archeology	Bowdoin	2	2	4
45.0401 (05)	Criminology	USM	24	13	37
45.0601 (05)	Economics, General	UMO	10	3	13
45.0601 (05)	Economics, General	Bates	25	9	34
45.0601 (05)	Economics, General	Bowdoin	24	8	32
45.0601 (05)	Economics, General	Colby	36	13	49
45.0601 (05)	Economics, General	USM	8	14	22
45.0601 (07)	Economics, General	UMO	2	1	3
Totals			105	48	153

45.0701 (05)	Geography	UMF	1	1	2
45.0801 (05)	History, General	UMO	12	10	22
45.0801 (05)	History, General	UMF	6	3	9
45.0801 (05)	History, General	UMM	1	2	3
45.0801 (05)	History, General	UMPI	3	4	7
45.0801 (05)	History, General	USM	23	13	36
45.0801 (05)	History, General	Bates	11	14	25
45.0801 (05)	History, General	Bowdoin	16	16	32
45.0801 (05)	History, General	Colby	11	17	28
45.0801 (05)	History, General	St Joseph's College	2	5	7
45.0801 (07)	History, General	UMO	6	5	11
45.0801 (09)	History, General	UMO	1	1	2
Totals			89	60	149
45.1001 (05)	Political Science, General	UMO	8	15	23
45.1001 (05)	Political Science, General	UMPI	0	1	1
45.1001 (05)	Political Science, General	USM	16	18	34
45.1001 (05)	Political Science, General	Bates	21	21	42
45.1001 (05)	Political Science, General	Colby	28	20	48
Totals			73	75	148
45.1099 (05)	Political Sci & Govt, Other	Bowdoin	35	18	53
45.1101 (05)	Sociology	UMO	5	16	21
45.1101 (05)	Sociology	UMPI	0	0	0
45.1101 (05)	Sociology	USM	3	33	36
45.1101 (05)	Sociology	Bates	0	2	2
45.1101 (05)	Sociology	Bowdoin	9	18	27
45.1101 (05)	Sociology	Colby	4	8	12
45.1101 (05)	Sociology	St Joseph's College	3	7	10
Totals			24	84	108
45.9999 (05)	Social Sci & History, Other	USM	7	42	49
45.9999 (05)	Social Sci & History, Other	UMFK	1	0	1
Totals			8	42	50
46.0201 (02)	Carpenter	NMTC	2	0	2
46.0201 (02)	Carpenter	WCTC	4	0	4
46.0201 (03)	Carpenter	NMTC	2	0	2
46.0201 (03)	Carpenter	SMTC	8	0	8
46.0201 (04)	Carpenter	NMTC	1	0	1
46.0201 (04)	Carpenter	SMTC	0	0	0
Totals			17	0	17
46.0302 (01)	Electrician	EMTC	1	0	1
46.0302 (02)	Electrician	NMTC	0	0	0

46.0302 (02)	Electrician	WCTC	11	1	12
46.0302 (03)	Electrician	KVTC	7	2	9
46.0302 (03)	Electrician	NMTC	7	0	7
46.0302 (03)	Electrician	SMTC	4	0	4
46.0302 (04)	Electrician	NMTC	10	0	10
46.0302 (04)	Electrician	SMTC	1	0	1
Totals			41	3	44
46.0303 (02)	Lineworker	KVTC	12	1	13
46.0501 (02)	Plumber & Pipefitter	SMTC	11	0	11
46.0501 (02)	Plumber & Pipefitter	WCTC	5	0	5
46.0501 (03)	Plumber & Pipefitter	SMTC	1	0	1
Totals			17	0	17
46.9999 (02)	Construction Trades Other	NMTC	0	0	0
46.9999 (03)	Construction Trades Other	NMTC	2	0	2
46.9999 (03)	Construction Trades Other	WCTC	0	0	0
46.9999 (04)	Construction Trades Other	NMTC	6	0	6
46.9999 (04)	Construction Trades Other	WCTC	0	0	0
Totals			8	0	8
47.0104 (03)	Computer Install & Repair	NMTC	9	0	9
47.0104 (04)	Computer Install & Repair	NMTC	1	0	1
Totals			10	0	10
47.0201 (02)	Heat/AC/Refrig Mech/Rep	EMTC	0	0	1
47.0201 (02)	Heat/AC/Refrig Mech/Rep	SMTC	3	0	3
47.0201 (02)	Heat/AC/Refrig Mech/Rep	WCTC	6	0	6
47.0201 (03)	Heat/AC/Refrig Mech/Rep	EMTC	3	0	3
47.0201 (03)	Heat/AC/Refrig Mech/Rep	SMTC	4	0	4
47.0201 (04)	Heat/AC/Refrig Mech/Rep	EMTC	6	0	6
47.0201 (04)	Heat/AC/Refrig Mech/Rep	SMTC	2	0	2
Totals			24	0	24
47.0302 (02)	Diesel Truck & Heavy Equip	WCTC	8	1	9
47.0302 (04)	Diesel Truck & Heavy Equip	EMTC	1	0	1
Totals			9	1	10
47.0303 (02)	Industrial Maintenance Technology	KVTC	2	0	2
47.0603 (02)	Auto/Automot Body Repair	NMTC	7	0	7
47.0603 (03)	Auto/Automot Body Repair	NMTC	1	0	1
47.0603 (04)	Auto/Automot Body Repair	NMTC	5	0	5
Totals			13	0	13
47.0604 (02)	Auto/Automot Mech/Tech	NMTC	3	0	3
47.0604 (02)	Auto/Automot Mech/Tech	WCTC	2	1	3

47.0604 (03)	Auto/Automot Mech/Tech	CMTC	8	0	8
47.0604 (03)	Auto/Automot Mech/Tech	NMTC	3	0	3
47.0604 (03)	Auto/Automot Mech/Tech	SMTC	3	1	4
47.0604 (03)	Auto/Automot Mech/Tech	WCTC	4	0	4
47.0604 (04)	Auto/Automot Mech/Tech	NMTC	4	0	4
47.0604 (04)	Auto/Automot Mech/Tech	SMTC	4	0	4
Totals			31	2	33
47.0605 (02)	Diesel Engin Mech/Repair	WCTC	10	0	10
47.0699 (02)	Veh/Mobil Equip Mech/Rep	NMTC	6	0	6
47.0699 (02)	Veh/Mobil Equip Mech/Rep	EMTC	0	1	1
47.0699 (03)	Veh/Mobil Equip Mech/Rep	EMTC	2	0	2
47.0699 (04)	Veh/Mobil Equip Mech/Rep	NMTC	3	0	3
47.0699 (04)	Veh/Mobil Equip Mech/Rep	EMTC	8	0	8
Totals			19	1	20
47.9999 (04)	Mechanics & Repairers Oth	WCTC	0	0	0
48.0101 (02)	Drafting, General	NMTC	0	0	0
48.0101 (02)	Drafting, General	SMTC	6	0	6
48.0101 (03)	Drafting, General	NMTC	5	1	6
48.0101 (04)	Drafting, General	NMTC	3	0	3
Totals			14	1	15
48.0105 (03)	Mechanical Drafting	CMTC	1	0	1
48.0201 (02)	Graph/Print Equip Oper Ot	CMTC	2	0	2
48.0201 (03)	Graph/Print Equip Oper Ot	CMTC	7	11	18
Totals			9	11	20
48.0501 (02)	Machinist/Machine Tech	SMTC	1	0	1
48.0501 (02)	Machinist/Machine Tech	CMTC	2	0	2
48.0501 (03)	Machinist/Machine Tech	CMTC	17	0	17
48.0501 (03)	Machinist/Machine Tech	EMTC	4	1	5
48.0501 (03)	Machinist/Machine Tech	SMTC	10	0	10
48.0501 (04)	Machinist/Machine Tech	EMTC	0	0	0
48.0501 (04)	Machinist/Machine Tech	SMTC	1	0	1
Totals			35	1	36
48.0506 (02)	Sheet Metal Worker	NMTC	0	0	0
48.0506 (03)	Sheet Metal Worker	NMTC	0	0	0
48.0506 (04)	Sheet Metal Worker	NMTC	5	0	5
Totals			5	0	5
48.0508 (02)	Welder/Welding Tech	EMTC	10	0	10
48.0508 (02)	Welder/Welding Tech	WCTC	10	0	10
48.0508 (03)	Welder/Welding Tech	CMTC	3	0	3

48.0508 (03)	Welder/Welding Tech	WCTC	0	0	0
48.0508 (03)	Welder/Welding Tech	EMTC	1	0	1
48.0508 (04)	Welder/Welding Tech	EMTC	7	0	7
Totals			31	0	31
48.9999 (02)	Precision Prod Trades Oth	WCTC	10	1	11
48.9999 (03)	Precision Prod Trades, Oth	WCTC	7	0	7
Totals			17	1	18
49.0202 (02)	Construction Equip Operator	WCTC	6	1	7
49.0306 (02)	Marine Maint & Ship Repair	WCTC	7	0	7
49.0309 (05)	Marine Sci/Merch Marine	MMA	38	4	42
49.0399 (03)	Water Transport Wkrs Oth	SMTC	0	0	0
49.0399 (04)	Water Transport Wkrs Oth	SMTC	1	0	1
Totals			1	0	1
50.0101 (05)	Visual & Performing Arts	UMM	0	1	1
50.0402 (03)	Graphic Design	UMA	0	0	0
50.0402 (03)	Graphic Design	SMTC	7	3	10
50.0402 (05)	Graphic Design	MECA	4	1	5
Totals			11	4	15
50.0501 (05)	Drama/Theater Arts, Gen	UMO	3	2	5
50.0501 (05)	Drama/Theater Arts, Gen	USM	5	5	10
50.0501 (05)	Drama/Theater Arts, Gen	Bates	1	3	4
50.0501 (05)	Drama/Theater Arts, Gen	Colby	3	7	10
50.0501 (07)	Drama/Theater Arts, Gen	UMO	0	1	1
Totals			12	18	30
50.0605 (03)	Photography	UMA	0	3	3
50.0605 (05)	Photography	MECA	3	4	7
50.0699 (03)	Film/Video & Photo Arts	SMTC	7	0	7
50.0701 (03)	Art, General	UMPI	0	0	0
50.0701 (05)	Art, General	UMO	8	10	18
50.0701 (05)	Art, General	UMPI	4	3	7
50.0701 (05)	Art, General	USM	12	26	38
Totals			24	39	63
50.0701 (05)	Printmaking	MECA	5	2	7
50.0702 (05)	Fine/Studio Arts	Bowdoin	4	5	9
50.0703 (05)	Art Hist, Criticism, Conserv	Bates	7	13	20
50.0703 (05)	Art Hist, Criticism, Conserv	Bowdoin	1	7	8
50.0703 (05)	Art Hist, Criticism, Conserv	Colby	3	8	11
Totals			11	28	39

50.0708 (05)	Painting	MECA	2	4	6
50.0709 (05)	Sculpture	MECA	2	4	6
50.0711 (05)	Ceramic Arts & Ceramics	MECA	2	6	8
50.0713 (05)	Metal & Jewelry Arts	MECA	1	5	6
50.0799 (03)	Fine Arts & Art Studies Other	UMA	1	5	6
50.0901 (03)	Music, General	UMA	5	1	6
50.0901 (05)	Music, General	UMO	0	1	1
50.0901 (05)	Music, General	USM	3	1	4
50.0901 (03)	Music, General	Bates	2	1	3
50.0901 (03)	Music, General	Bowdoin	2	1	3
50.0901 (07)	Music, General	UMO	3	4	7
50.0901 (09)	Music, General	UMO	0	0	0
Totals			15	9	24
50.0902 (05)	Music History & Lit	Colby	5	4	9
50.0903 (05)	Music - Gen Performance	UMO	4	0	4
50.0903 (05)	Music - Gen Performance	USM	2	4	6
Totals			6	4	10
50.0999 (05)	Music, Other	UMA	0	1	1
51.0201 (05)	Comm Disorders, General	UMO	0	11	11
51.0201 (07)	Comm Disorders, General	UMO	0	20	20
Totals			0	31	31
51.0601 (02)	Dental Assistant	UMO	0	1	1
51.0601 (02)	Dental Assistant	UMA	0	5	5
51.0602 (03)	Dental Hygienist	UMO	0	0	0
51.0602 (03)	Dental Hygienist	UMA	0	16	16
51.0602 (03)	Dental Hygienist	UNE	1	17	18
51.0602 (05)	Dental Hygienist	UNE	1	10	11
Totals			2	49	51
51.0701 (05)	Health Sys/Svcs Admin	St Joseph's College	9	143	152
51.0701 (07)	Health Sys/Svcs Admin	St Joseph's College	9	39	48
51.0701 (07)	Health Sys/Svcs Admin	USM	2	1	3
Totals			20	183	203
51.0702 (05)	Hospl/Health Facil Admin	UNE	2	2	4
51.0705 (03)	Medical Office Mgmt	Beal	0	8	8
51.0707 (03)	Medical Records T/T	UMO	0	0	0
51.0707 (03)	Medical Records T/T	KVTC	0	8	8
Totals			0	8	8
51.0708 (02)	Medical Transcription	CMTC	0	1	1

51.0799 (03)	Health & Med Admin Svcs Oth	UMA	0	7	7
51.0801 (02)	Medical Assistant	SMTC	0	14	14
51.0801 (03)	Medical Assistant	KVTC	0	13	13
51.0801 (03)	Medical Assistant	Andover	2	40	42
51.0801 (03)	Medical Assistant	Beal	0	21	21
51.0801 (03)	Medical Assistant	Mid-State	0	20	20
51.0801 (03)	Medical Assistant	Husson	0	17	17
Totals			2	125	127
51.0803 (03)	Occupational Therapy Asst	KVTC	3	15	18
51.0806 (03)	Physical Therapy Asst	KVTC	5	9	14
51.0807 (07)	Physician Asst	UNE	12	17	29
51.0901 (03)	Cardiovascular Tech/Tech	SMTC	2	8	10
51.0904 (02)	Emergency Medicine Tech/Tech	KVTC	8	0	8
51.0904 (03)	Emergency Medicine Tech/Tech	SMTC	1	3	4
51.0904 (03)	Emergency Medicine Tech/Tech	KVTC	2	0	2
Totals			11	3	14
51.0905 (03)	Nuclear Medicine T/T	SMTC	0	3	3
51.0907 (03)	Medical Radiologic Tech/Tech	CMTC	0	8	8
51.0907 (03)	Medical Radiologic Tech/Tech	EMTC	3	7	10
51.0907 (03)	Medical Radiologic Tech/Tech	KVTC	0	4	4
51.0907 (03)	Medical Radiologic Tech/Tech	SMTC	1	9	10
51.0907 (03)	Medical Radiologic Tech/Tech	SJC	1	7	8
51.0907 (05)	Medical Radiologic Tech/Tech	SJC	2	4	6
Totals			7	39	46
51.0908 (03)	Respiratory Therapy Tech	KVTC	2	5	7
51.0908 (03)	Respiratory Therapy Tech	SMTC	2	5	7
Totals			4	10	14
51.0909 (03)	Surgical/Opertng Rm Tech	SMTC	0	4	4
51.0999 (05)	Health/Med Diag/Tx Svcs Oth	USM	0	3	3
51.1004 (03)	Medical Laboratory Tech	UMPI	1	4	5
51.1004 (03)	Medical Laboratory Tech	CMTC	1	7	8
51.1004 (03)	Medical Laboratory Tech	EMTC	0	0	0
Totals			2	11	13
51.1005 (03)	Medical Technology	UMA	0	7	7
51.1005 (05)	Medical Technology	UMO	2	4	5
51.1005 (05)	Medical Technology	UNE	0	2	2
51.1005 (05)	Medical Technology	UNE	0	0	0
Totals			2	13	14
51.1307 (07)	Medical Immunology	USM	2	1	3

51.1399 (05)	Medical Basic Sci, Other	UNE	6	10	16
51.1502 (03)	Psych/Mental Hlth Svc T	UMA	8	78	86
51.1502 (05)	Psych/Mental Hlth Svc T	MMA	1	6	7
Totals			9	84	93
51.1599 (05)	Mental Health & Human Svcs	UMA	1	9	10
51.1601 (03)	Nursing (RN Training)	UMA	6	38	44
51.1601 (03)	Nursing (RN Training)	CMTC	2	18	20
51.1601 (03)	Nursing (RN Training)	EMTC	5	18	23
51.1601 (03)	Nursing (RN Training)	KVTC	1	28	29
51.1601 (03)	Nursing (RN Training)	NMTC	3	27	30
51.1601 (03)	Nursing (RN Training)	SMTC	3	41	44
51.1601 (05)	Nursing (RN Training)	UMO	15	72	87
51.1601 (05)	Nursing (RN Training)	UMFK	1	11	12
51.1601 (05)	Nursing (RN Training)	USM	7	97	104
51.1601 (05)	Nursing (RN Training)	Husson	3	38	41
51.1601 (05)	Nursing (RN Training)	St Joseph's College	6	43	49
51.1601 (07)	Nursing (RN Training)	UMO	0	12	12
51.1601 (07)	Nursing (RN Training)	USM	3	36	39
51.1601 (07)	Nursing (RN Training)	Husson	0	1	1
51.1601 (08)	Nursing (RN Training)	UMO	0	1	1
51.1601 (08)	Nursing (RN Training)	Husson	0	1	1
Totals			55	482	537
51.1604 (07)	Nursing Anesthet (PostRN)	UNE	8	20	28
51.1605 (07)	Nursing Family Pract (PostRN)	Husson	2	4	6
51.1610 (07)	Nursing Psych.Mental Health	Husson	1	4	5
51.1613 (02)	Practical Nurse (LPN Trng)	KVTC	0	2	2
51.1613 (02)	Practical Nurse (LPN Trng)	CMTC	0	0	0
51.1613 (02)	Practical Nurse (LPN Trng)	EMTC	0	0	0
51.1613 (02)	Practical Nurse (LPN Trng)	NMTC	0	5	5
51.1613 (02)	Practical Nurse (LPN Trng)	SMTC	1	4	5
Totals			1	11	12
51.1699 (03)	Nursing Other	UNE	4	27	31
51.1699 (05)	Nursing Other	UNE	2	18	20
Totals			6	45	51
51.1901 (10)	Osteopathic Medicine (DO)	UNE	49	34	83
51.2202 (05)	Environmental Health	UNE	1	0	1
51.2207 (05)	Public Health Ed & Promot	UMF	6	4	10
51.2306 (05)	Occupational Therapy	UNE	9	40	49
51.2306 (07)	Occupational Therapy	USM	5	18	23
51.2308 (05)	Physical Therapy	UNE	11	27	38

51.2309 (03)	Recreational Therapy	USM	0	3	3
51.2309 (05)	Recreational Therapy	USM	2	17	19
Totals			2	20	22
51.2399 (05)	Rehab/Therapeutic Svcs	UMF	2	15	17
51.9999 (05)	Health Prof & Related Sciences	UNE	2	0	2
52.0101 (02)	Business General	Beal	0	1	1
52.0101 (03)	Business General	UMO	0	0	0
52.0101 (03)	Business General	UMA	12	45	57
52.0101 (03)	Business General	Thomas College	3	10	13
52.0101 (05)	Business General	UMA	12	21	33
52.0101 (05)	Business General	UMFK	7	6	13
52.0101 (05)	Business General	UMPI	9	3	12
Totals			43	86	129
52.0201 (02)	Bus Admin & Mgmt Gen	CMTC	1	0	1
52.0201 (02)	Bus Admin & Mgmt Gen	Beal	0	1	1
52.0201 (03)	Bus Admin & Mgmt Gen	Andover	6	20	26
52.0201 (03)	Bus Admin & Mgmt Gen	Beal	3	3	6
52.0201 (03)	Bus Admin & Mgmt Gen	USM	8	12	20
52.0201 (03)	Bus Admin & Mgmt Gen	CMTC	6	13	19
52.0201 (03)	Bus Admin & Mgmt Gen	EMTC	8	12	20
52.0201 (03)	Bus Admin & Mgmt Gen	NMTC	7	8	15
52.0201 (03)	Bus Admin & Mgmt Gen	SMTC	6	2	8
52.0201 (03)	Bus Admin & Mgmt Gen	Beal	0	0	0
52.0201 (03)	Bus Admin & Mgmt Gen	Mid-State College	1	5	6
52.0201 (03)	Bus Admin & Mgmt Gen	Husson	11	18	29
52.0201 (03)	Bus Admin & Mgmt Gen	UNE	0	0	0
52.0201 (05)	Bus Admin & Mgmt Gen	UMO	66	42	108
52.0201 (05)	Bus Admin & Mgmt Gen	UMM	3	1	4
52.0201 (05)	Bus Admin & Mgmt Gen	USM	37	49	86
52.0201 (05)	Bus Admin & Mgmt Gen	Husson	29	39	68
52.0201 (05)	Bus Admin & Mgmt Gen	Thomas	5	15	20
52.0201 (05)	Bus Admin & Mgmt Gen	UNE	0	0	0
52.0201 (07)	Bus Admin & Mgmt Gen	UMO	21	9	30
52.0201 (07)	Bus Admin & Mgmt Gen	USM	14	8	22
52.0201 (07)	Bus Admin & Mgmt Gen	Husson	27	22	49
52.0201 (07)	Bus Admin & Mgmt Gen	Thomas	17	16	33
Totals			276	295	571
51.0202 (07)	Taxation	Thomas	1	4	5
52.0204 (03)	Office Supervis & Mgmt	SMTC	0	18	18
52.0201 (03)	Office Supervis & Mgmt	Beal	0	0	0

Totals			0	18	18
52.0205 (03)	Bus Admin (Op Mgmt)	NMTC	0	1	1
52.0299 (03)	Bus Admin & Mgmt Oth	WCTC	7	3	10
52.0299 (03)	Bus Admin & Mgmt Oth	St Joseph's College	0	0	0
52.0299 (05)	Bus Admin & Mgmt Oth	USM	4	9	13
52.0299 (05)	Bus Admin & Mgmt Oth	St Joseph's College	14	12	26
Totals			25	24	49
52.0301 (01)	Accounting	Mid-State	0	0	0
52.0301 (03)	Accounting	Andover	2	22	24
52.0301 (03)	Accounting	UMM	1	3	4
52.0301 (03)	Accounting	Beal	6	4	10
52.0301 (03)	Accounting	Husson	3	14	17
52.0301 (03)	Accounting	Mid State	3	5	8
52.0301 (03)	Accounting	Thomas	2	1	3
52.0301 (04)	Accounting	NMTC	1	0	1
52.0301 (05)	Accounting	UMM	3	2	5
52.0301 (05)	Accounting	UMPI	5	5	10
52.0301 (05)	Accounting	USM	11	15	26
52.0301 (05)	Accounting	Husson	18	40	58
52.0301 (05)	Accounting	St Joseph's College	4	3	7
52.0301 (05)	Accounting	Thomas	7	12	19
52.0301 (07)	Accounting	Husson	2	0	2
Totals			68	126	194
52.0302 (03)	Accounting Technician	CMTC	0	2	2
52.0302 (03)	Accounting Technician	KVTC	1	13	14
52.0302 (03)	Accounting Technician	NMTC	3	4	7
Totals			4	19	23
52.0401 (02)	Admin Asst/Sec Sci Gen	KVTC	0	2	2
52.0401 (02)	Admin Asst/Sec Sci Gen	Beal	0	4	4
52.0401 (03)	Admin Asst/Sec Sci Gen	Beal	0	19	19
52.0401 (03)	Admin Asst/Sec Sci Gen	CMTC	1	3	4
52.0401 (03)	Admin Asst/Sec Sci Gen	EMTC	0	11	11
52.0401 (03)	Admin Asst/Sec Sci Gen	KVTC	0	7	7
52.0401 (03)	Admin Asst/Sec Sci Gen	Andover	1	24	25
52.0401 (03)	Admin Asst/Sec Sci Gen	UMM	0	5	5
52.0401 (03)	Admin Asst/Sec Sci Gen	Mid State	0	11	11
52.0401 (05)	Admin Asst/Sec Sci Gen	UMM	0	1	1
Totals			2	87	89
52.0402 (03)	Executive Asst/Secrty	NMTC	0	5	5
52.0402 (03)	Executive Asst/Secrty	Husson	0	5	5

52.0402 (03)	Executive Asst/Secrty	Thomas	0	1	1
52.0402 (05)	Executive Asst/Secrty	Husson	0	4	4
Totals			0	15	15
52.0403 (03)	Legal Admin Asst/Secrty	KVTC	0	4	4
52.0403 (03)	Legal Admin Asst/Secrty	NMTC	0	2	2
52.0403 (03)	Legal Admin Asst/Secrty	Husson	0	2	2
52.0403 (03)	Legal Admin Asst/Secrty	Mid State	0	1	1
52.0403 (03)	Legal Admin Asst/Secrty	Thomas	0	2	2
Totals			0	11	11
52.0404 (02)	Medl Admin Asst/Sec	WCTC	0	10	10
52.0404 (03)	Medl Admin Asst/Sec	KVTC	0	7	7
52.0404 (03)	Medl Admin Asst/Sec	NMTC	0	8	8
52.0404 (03)	Medl Admin Asst/Sec	Mid State	0	0	0
52.0404 (03)	Medl Admin Asst/Sec	Thomas	0	4	4
Totals			0	29	29
52.0405 (03)	Court Reporter	Husson	0	0	0
52.0405 (03)	Court Reporter	Mid State	0	0	0
52.0405 (05)	Court Reporter	Husson	0	0	0
Totals			0	0	0
52.0408 (02)	Gen Office/Clerk/Typing	NMTC	0	1	1
52.0601 (03)	Bus Managerial Economic	Mid State	0	2	2
52.0601 (05)	Bus Managerial Economic	USM	0	0	0
Totals			0	2	2
52.0701 (03)	Enterprise Mgmt & Oper Gen	UMM	0	0	0
52.0799 (03)	Enterprise Mgmt & Oper Oth	MMA	7	1	8
52.0801 (05)	Finance, General	Husson	6	4	10
52.0801 (05)	Finance, General	Thomas	1	6	7
Totals			7	10	17
52.0902 (03)	Hotel/Motel/Resnt Mgmt	SMTC	1	6	7
52.0902 (03)	Hotel/Motel/Resnt Mgmt	Beal	0	0	0
Totals			1	6	7
52.0903 (03)	Travel-Tourism Mgmt	Beal	1	8	9
52.0999 (05)	Hospitality Svcs Mgmt, Oth	Husson	8	1	9
52.1001 (05)	Human Res Mgmt	Thomas	0	1	1
52.1201 (02)	Mgt InfSys/Bus DatProc Gn	YCTC	0	1	1
52.1201 (03)	Mgt InfSys/Bus DatProc Gn	Andover	31	29	60
52.1201 (03)	Mgt InfSys/Bus DatProc Gn	NMTC	2	4	6
52.1201 (03)	Mgt InfSys/Bus DatProc Gn	UMM	0	2	2
Totals			33	36	69

52.1204 (03)	Information Tech	NMTC	3	2	5
	International Business & Logistics	MMA	1	0	1
52.1299 (02)	Bus Inf & Dat Proc Svcs Other	WCTC	0	6	6
52.1299 (02)	Bus Inf & Dat Proc Svcs Other	YCTC	0	2	2
52.1299 (03)	Bus Inf & Dat Proc Svcs Other	WCTC	4	13	17
Totals			4	21	25
52.1401 (03)	Bus Mrktg & Market Mgmt	KVTC	1	8	9
52.1401 (05)	Bus Mrktg & Market Mgmt	UMM	1	0	1
52.1401 (05)	Bus Mrktg & Market Mgmt	Husson	4	2	6
52.1401 (05)	Bus Mrktg & Market Mgmt	SJC	0	1	1
52.1401 (05)	Bus Mrktg & Market Mgmt	Thomas	1	2	3
Totals			7	13	20
52.9999 (03)	Bus Mgmt/Admin Svcs Oth	SJC	0	4	4
52.9999 (05)	Bus Mgmt/Admin Svcs Oth	Colby	5	0	5
52.9999 (05)	Bus Mgmt/Admin Svcs Oth	Thomas	0	0	0
52.9999 (05)	Bus Mgmt/Admin Svcs Oth	UNE	7	12	19
52.9999 (07)	Bus Mgmt/Admin Svcs Oth	MMA	5	0	5
Totals			17	16	33

**MAINE PUBLIC AND PRIVATE COLLEGES AND UNIVERSITIES
ASSOCIATE DEGREE LEVEL
SUMMARY OF 20 HIGHEST COMPLETION RATES BY FIELD OF STUDY - 1999**

CIP CODES:	PROGRAM TITLES	03 TOTALS:
51.1601	Nursing (RN Training)	190
52.0201	Business Administration & Management, General	159
24.0101	Liberal Arts/Science/Liberal Studies	113
51.0801	Medical Assistant	113
51.1502	Psychology/Mental Health Svcs Tech	86
52.0401	Administrative Assistant/Secretary Science, General	82
52.0101	Business General	70
52.1201	Management Information Systems/Business Data Processing, General	68
43.0104	Criminal Justice Studies	57
43.0107	Law Enforcement/Political Science	49
24.0102	General Studies	48
22.0103	Paralegal/Legal Assistant	44
15.0303	Elect/Electron/Comm Eng. Tech/Tech	42
52.0301	Accounting	42
51.0907	Medical Radiologic Tech/Tech	40
51.0602	Dental Hygienist	34
48.0501	Machinist/Machine Tech	32
51.1699	Nursing, Other	31
20.0401	Institution Food Worker/Administration General	27
15.0303	Computer Eng. Tech/Tech	26
Totals	20 Highest Completion Rates at 03 Level	1,353

**MAINE PUBLIC AND PRIVATE COLLEGES AND UNIVERSITIES
BACHELOR DEGREE LEVEL
SUMMARY OF 20 HIGHEST COMPLETION RATES BY FIELD OF STUDY - 1999**

CIP CODES:	PROGRAM TITLES	05 TOTALS:
51.1601	Nursing (RN Training)	293
52.0201	Business Administration & Mgmt General	286
13.1202	Elementary Teacher Education	285
42.0101	Psychology General	276
26.0101	Biology, General	265
23.0101	English Language/Literature General	203
45.0801	History, General	169
30.9999	Multi/Inter Disciplinary Studies, Other	161
45.1001	Political Science, General	148
45.0601	Economics, General	140
24.0101	Liberal Arts, Science/Liberal Studies	125
52.0301	Accounting	125
45.1101	Sociology	108
44.0701	Social Work	100
03.0102	Environmental Science/Studies	78
13.1205	Secondary Teacher Education	73
50.0701	Art, General	63
13.1314	Physical Education Teaching/Coaching	63
52.0101	Business, General	58
27.0101	Mathematics	52
Totals	20 Highest Completion Rates at 05 Level	3,071

**MAINE PUBLIC AND PRIVATE COLLEGES AND UNIVERSITIES
 MASTER'S DEGREE LEVEL
 SUMMARY OF 20 HIGHEST COMPLETION RATES BY FIELD OF STUDY - 1999**

CIP CODES:	PROGRAM TITLES	07 TOTALS:
52.0201	Business Administration & Mgmt, General	134
44.0701	Social Work	118
13.9999	Education, Other	81
13.1001	Special Education General	57
51.1601	Nursing (RN Training)	52
51.0701	Health Systems/Services Administration	51
13.1315	Reading Teacher Education	47
13.1101	Counselor Education Counselor/Guidance Services	47
13.1206	Teacher Education Mult. Levels	43
13.1321	Computer Teacher Education	33
13.1399	Teacher Education Acad./Voc. Programs, Other	29
13.0405	Elementary, Middle, Secondary Education Administration	29
51.0807	Physician Assistant	29
51.1604	Nursing Anesthetist	28
13.1201	Adult Continuing Teacher Education	25
51.2306	Occupational Therapy	23
13.0401	Educational Administration and Supervis. General	22
13.1205	Secondary Teacher Education	20
14.0801	Civil Engineering, General	13
13.1202	Elementary Teacher Education	12
Totals	20 Highest Completion Rates at 07 Level	893

**MAINE PUBLIC AND PRIVATE COLLEGES AND UNIVERSITIES
DOCTORAL AND FIRST PROFESSIONAL DEGREE LEVEL
SUMMARY OF 20 HIGHEST COMPLETION RATES BY FIELD OF STUDY - 1999**

CIP CODES:	PROGRAM TITLES	09 AND 10 TOTALS:
14.0701 (09)	Chemical Engineering	4
02.0501 (09)	Soil Science	3
30.0801 (09)	Physics, General	3
14.0899 (09)	Civil Engineering, Other	3
42.0101 (09)	Psychology, General	3
13.0401 (09)	Education, Administration and Supervision, General	2
13.1101 (09)	Counselor Education, Counselor/Guidance Svcs.	2
13.1315 (09)	Reading Teacher Education	2
26.0101 (09)	Biology, General	2
40.0601 (09)	Geology	2
40.0702 (09)	Oceanography	2
45.0801 (09)	History, General	2
44.0401 (09)	Public Administration	1
2.0301 (09)	Animal Sciences, General	1
2.0301 (09)	Food Science and Technology	1
40.0501 (09)	Chemistry, General	1
26.0402 (09)	Molecular Biology	1
22.0101 (10)	Law (LLB, JD)	96
51.1901 (10)	Osteopathic Medicine (DO)	83
39.0602 (10)	Divinity/Ministry (BD, MDIV)	14
Totals	20 Highest Completion Rates at 09 and 10 Levels	228